

HARO

Haro Tube Soft Close Seat

Product Image



Product Details

Code: 523029
Brand: Haro
Range: Tube Soft close
Warranty: 2 Years*

EASY  FIX



Additional Features

Seat information

- Urea 131.5 Duroplast
- With Soft Close and TakeOff
- Straight shaped
- D-shape
- Round Front
- Evenly Shaped
- Wrapover Design
- Weight 2.3kg
- Care instructions included
- Warranty (Parts Only)*:
Seat, Cover and Hinge Posts : 2 Years
Soft Closing Dampers : 10 Years

Hinge information

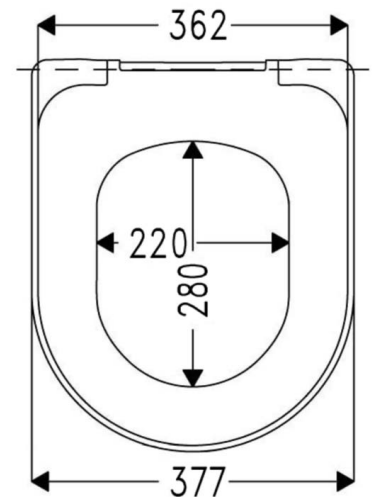


- Hinge Post Centers: 135-230mm
- SoftClose original
- Stainless Steel
- Screw length: 36.0mm



Technical Specification

Length with C2802H Hinge:
409.6 - 422 / 444-456.4



*Terms and conditions apply. Proof of purchase required. Hamberger Sanitary provides a 10 year warranty on the SoftClose automatic closing system. However, should the SoftClose function develop a fault, despite proper use, Hamberger Sanitary will provide new SoftClose dampers free of charge.