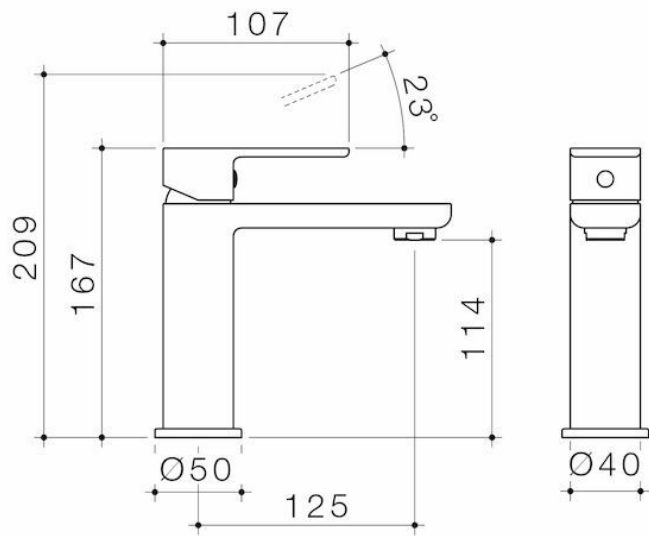


Caroma Luna® Basin Mixer - Chrome - Lead Free

Code: 68181C6AF



Attributes

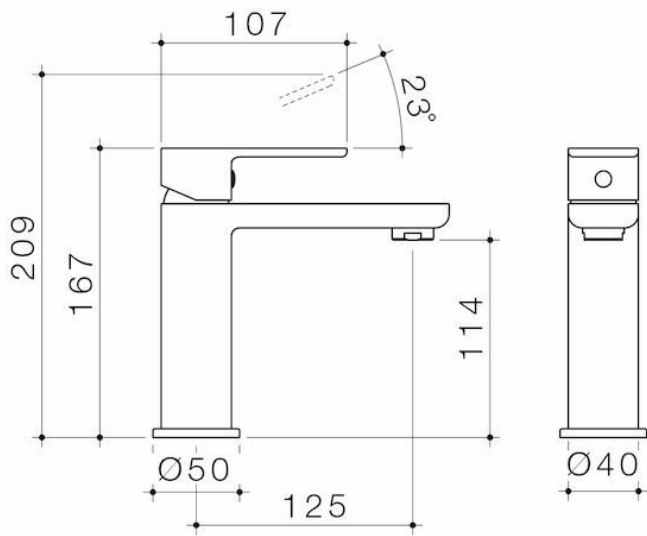
Litres per minute	4.50 ltr
Outlet length	125 mm
Temperature adjustable	No
Flow adjustable	No
Coating method	Chromeplated
Is retrofit	No
Depth	40 mm
Length	167 mm
Width	125 mm
Net Weight	1.60 kg

Features & Benefits

- Engineered from Lead Free brass*
- Caroma tapware is 100% leak tested
- 25mm ceramic disc cartridge enables slim, sleek design
- Water flow efficiency without compromising on performance
- Easy clean silicone aerator prevents limescale build up
- Durable finish in Chrome
- Complete the look with Caroma Luna® Showers, Baths, Basins, Toilets & Accessories - *<0.25% lead as per Lead Free Watermark certification

Caroma Luna® Basin Mixer - Brushed Nickel - Lead Free

Code: 68181BN6AF



Attributes

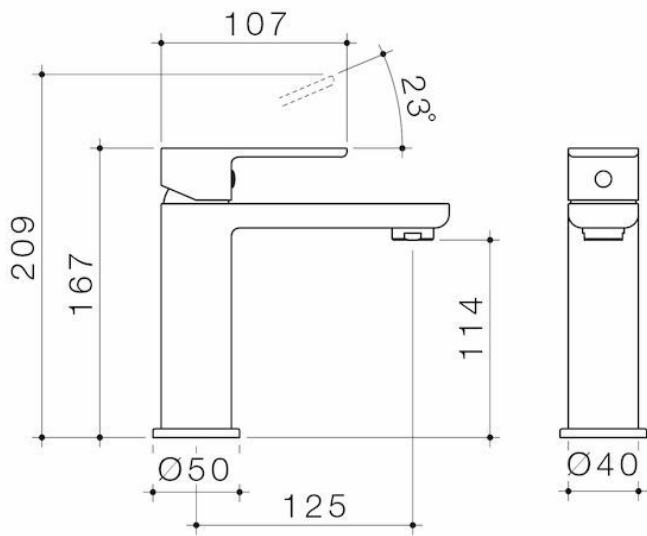
Litres per minute	4.50 ltr
Outlet length	125 mm
Temperature adjustable	No
Flow adjustable	No
Coating method	Electroplated
Is retrofit	No
Depth	40 mm
Length	167 mm
Width	125 mm
Net Weight	1.60 kg

Features & Benefits

- Engineered from Lead Free brass*
- Caroma tapware is 100% leak tested
- 25mm ceramic disc cartridge enables slim, sleek design
- Water flow efficiency without compromising on performance
- Easy clean silicone aerator prevents limescale build up
- Durable finish in Brushed Nickel
- Complete the look with Caroma Luna® Showers, Baths, Basins, Toilets & Accessories - *<0.25% lead as per Lead Free Watermark certification

Caroma Luna® Basin Mixer - Brushed Brass - Lead Free

Code: 68181BB6AF



Attributes

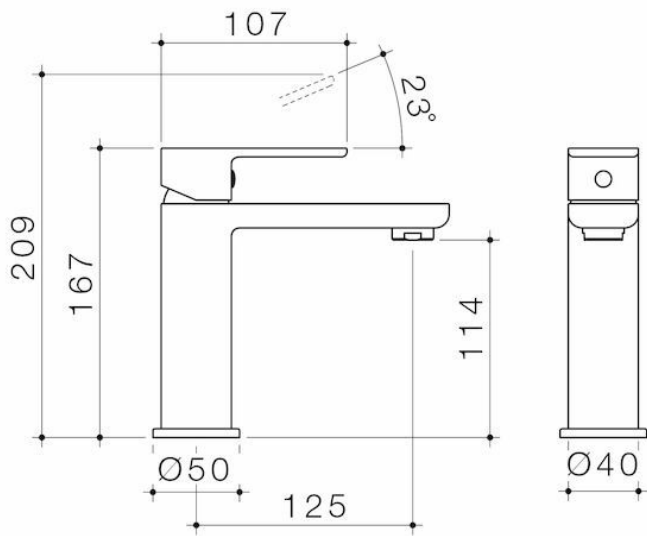
Litres per minute	4.50 ltr
Outlet length	125 mm
Temperature adjustable	No
Flow adjustable	No
Coating method	PVD
Is retrofit	No
Depth	40 mm
Length	167 mm
Width	125 mm
Net Weight	1.60 kg

Features & Benefits

- Engineered from Lead Free brass*
- Caroma tapware is 100% leak tested
- 25mm ceramic disc cartridge enables slim, sleek design
- Water flow efficiency without compromising on performance
- Easy clean silicone aerator prevents limescale build up
- Durable finish in Brushed Brass
- Complete the look with Caroma Luna® Showers, Baths, Basins, Toilets & Accessories - *<0.25% lead as per Lead Free Watermark certification

Caroma Luna® Basin Mixer - Black - Lead Free

Code: 68181BL6AF



Attributes

Litres per minute	4.50 ltr
Outlet length	125 mm
Temperature adjustable	No
Flow adjustable	No
Coating method	Electroplated
Is retrofit	No
Depth	40 mm
Length	167 mm
Width	125 mm
Net Weight	1.60 kg

Features & Benefits

- Engineered from Lead Free brass*
- Caroma tapware is 100% leak tested
- 25mm ceramic disc cartridge enables slim, sleek design
- Water flow efficiency without compromising on performance
- Easy clean silicone aerator prevents limescale build up
- Durable finish Satin Black
- Complete the look with Caroma Luna® Showers, Baths, Basins, Toilets & Accessories - *<0.25% lead as per Lead Free Watermark certification