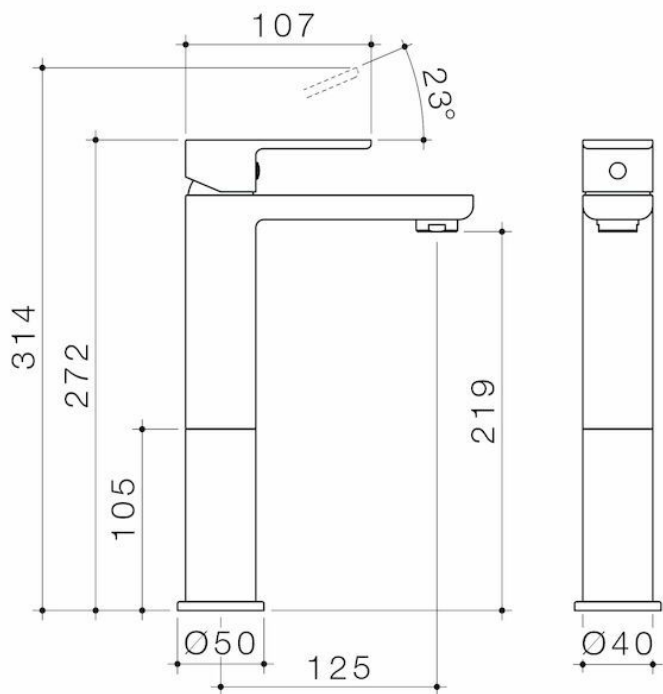


Caroma Luna® Tower Basin Mixer - Chrome - Lead Free

Code: 68183C6AF



Attributes

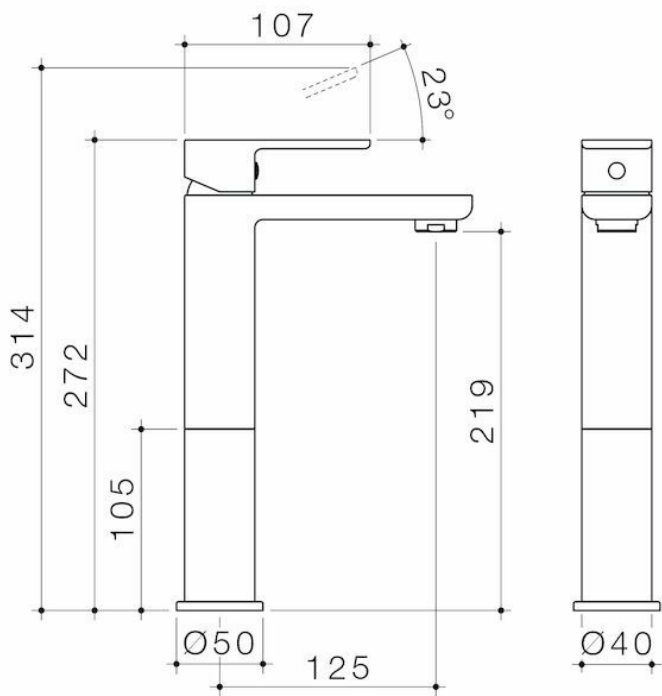
| | |
|-------------------------------|--------------|
| Litres per minute | 4.50 ltr |
| Outlet length | 125 mm |
| Temperature adjustable | No |
| Flow adjustable | No |
| Coating method | Chromeplated |
| Is retrofit | No |
| Depth | 50 mm |
| Length | 175 mm |
| Width | 175 mm |
| Net Weight | 2.00 kg |

Features & Benefits

- Engineered from Lead Free brass*
- Caroma tapware is 100% leak tested
- 25mm ceramic disc cartridge enables slim, sleek design
- Water flow efficiency without compromising on performance
- Easy clean silicone aerator prevents limescale build up
- Durable finish in Chrome
- Complete the look with Caroma Luna® Showers, Baths, Basins, Toilets & Accessories - *<0.25% lead as per Lead Free Watermark certification

Caroma Luna® Tower Basin Mixer - Brushed Nickel - Lead Free

Code: 68183BN6AF

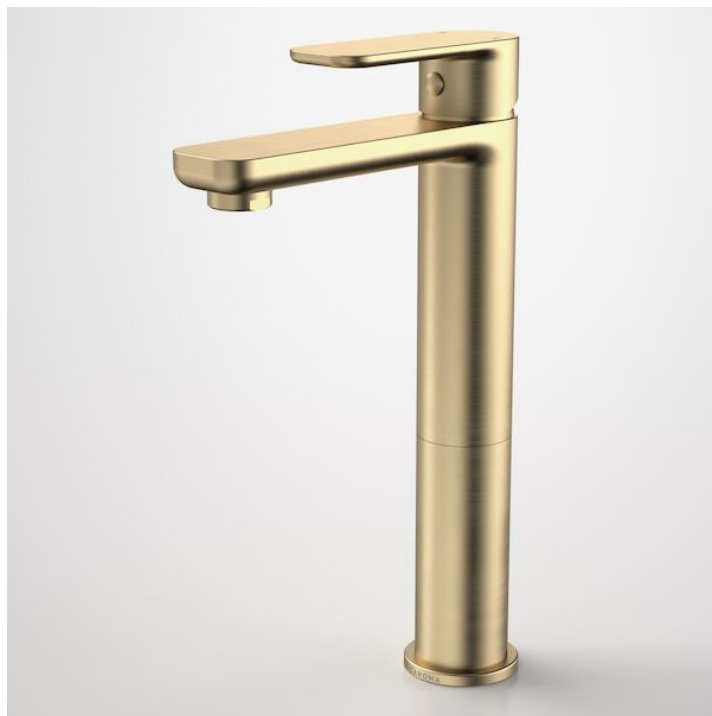
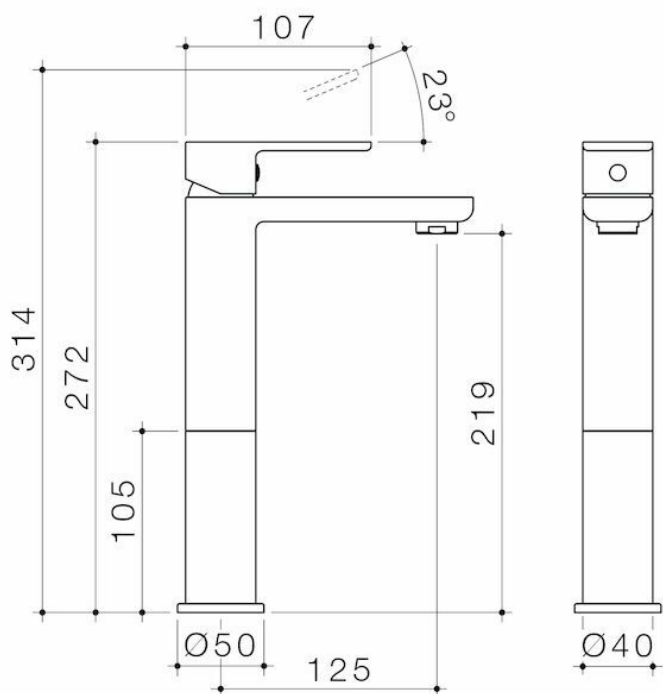


Attributes

| | |
|------------------------|---------------|
| Litres per minute | 4.50 ltr |
| Outlet length | 125 mm |
| Temperature adjustable | No |
| Flow adjustable | No |
| Coating method | Electroplated |
| Is retrofit | No |
| Depth | 50 mm |
| Length | 175 mm |
| Width | 175 mm |
| Net Weight | 2.00 kg |

Caroma Luna® Tower Basin Mixer - Brushed Brass - Lead Free

Code: 68183BB6AF

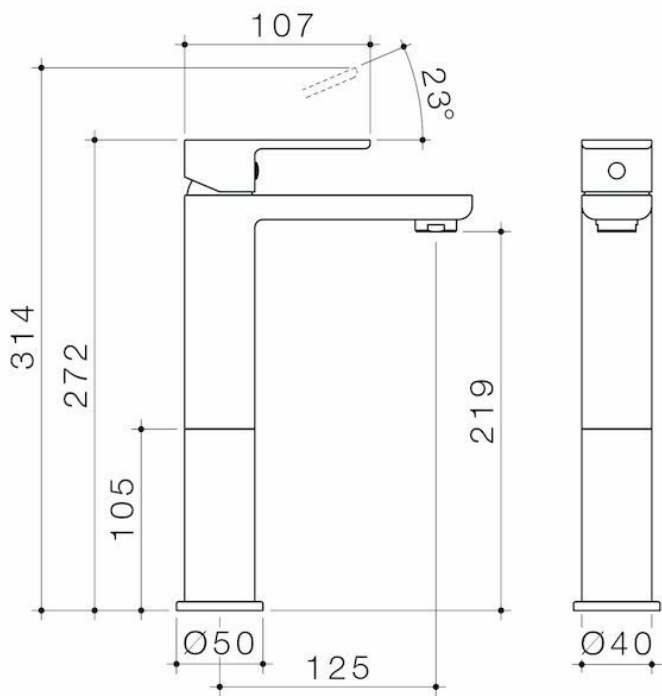


Attributes

| | |
|------------------------|----------|
| Litres per minute | 4.50 ltr |
| Outlet length | 125 mm |
| Temperature adjustable | No |
| Flow adjustable | No |
| Coating method | PVD |
| Is retrofit | No |
| Depth | 50 mm |
| Length | 175 mm |
| Width | 175 mm |
| Net Weight | 2.00 kg |

Caroma Luna® Tower Basin Mixer - Black - Lead Free

Code: 68183BL6AF



Attributes

| | |
|------------------------|---------------|
| Litres per minute | 4.50 ltr |
| Outlet length | 125 mm |
| Temperature adjustable | No |
| Flow adjustable | No |
| Coating method | Electroplated |
| Is retrofit | No |
| Depth | 50 mm |
| Length | 175 mm |
| Width | 175 mm |
| Net Weight | 2.00 kg |