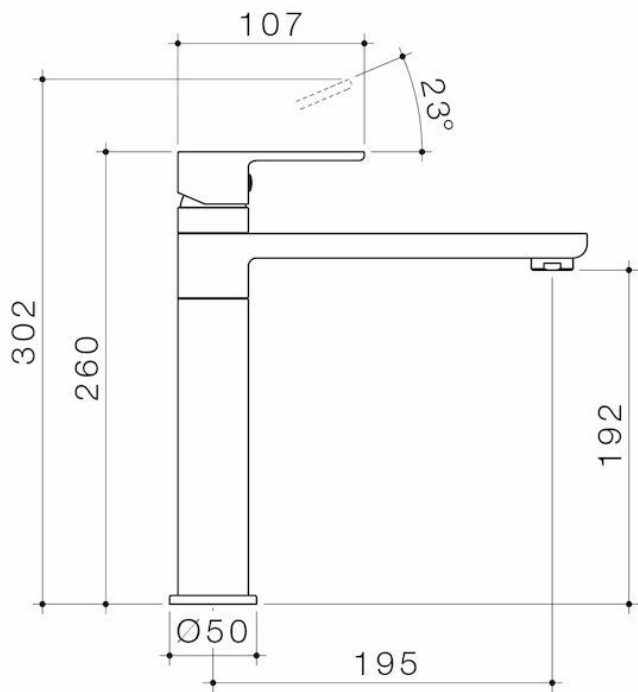


Caroma Luna® Sink Mixer - Chrome - Lead Free

Code: 68188C4AF



Attributes

Litres per minute	7.50 ltr
Outlet length	195 mm
Temperature adjustable	No
Flow adjustable	No
Coating method	Chromeplated
Is retrofit	No
Depth	50 mm
Length	195 mm
Net Weight	2.15 kg

Features & Benefits

- Engineered from Lead Free brass*
- Caroma tapware is 100% leak tested
- 25mm ceramic disc cartridge enables slim, sleek design
- Water flow efficiency without compromising on performance
- Easy clean silicone aerator prevents limescale build up
- Durable finish in Chrome
- Complete the look with Caroma Luna® Showers, Baths, Basins, Toilets & Accessories - *<0.25% lead as per Lead Free Watermark certification