

Rebris S
Bath spout
 Finish: **Chrome**



Description

product features

- connection type: G 1/2
- with escutcheon
- projection: 200 mm
- wall-mounted
- maximum flow rate at 3 bar: 22 l/min
- spray type: normal spray

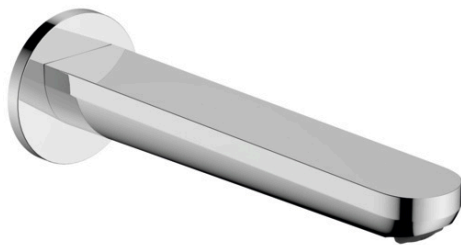
Technology



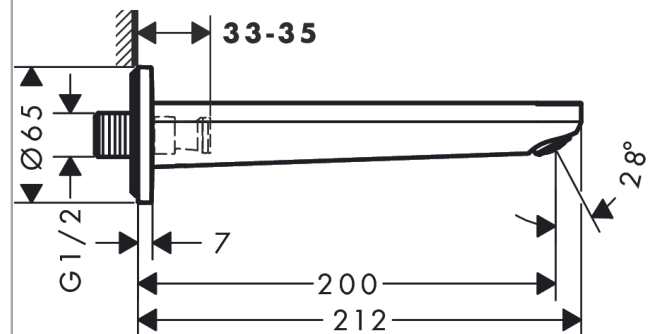
Design awards



Product image



Scale drawing



Flowchart

