

Aquno Select M81

Single lever kitchen mixer 250, pull-out spout, 2jet, sBox

Finish: **Chrome/Matt Black/Stainless Steel**



Description

product features

- consists of: single lever kitchen mixer, hose box, multifunctional strainer
- ComfortZone 250
- I-spout
- swivel range adjustable in 3 steps 60°, 110° or 150°
- laminar spray, SatinFlow
- change between SatinFlow and pull-out spout at the touch of a button
- MagFit magnetic shower support
- connection dimension: DN15
- maximum flow rate at 3 bar: 6 l/min
- ceramic cartridge
- connection type: G 3/8 connections
- integrated non-return valve
- not suitable for continuous flow water heaters
- sBox for quiet, smooth and protected hose guidance in the cabinet, under the countertop
- extension length up to 76 cm
- tap hole with Ø 35 mm required, recommendation: the middle of tap hole drilling should be max. 50 mm from the back side of of the bowl
- EU taxonomy: max. 6 l/min - Substantial Contribution (SC)

Technology



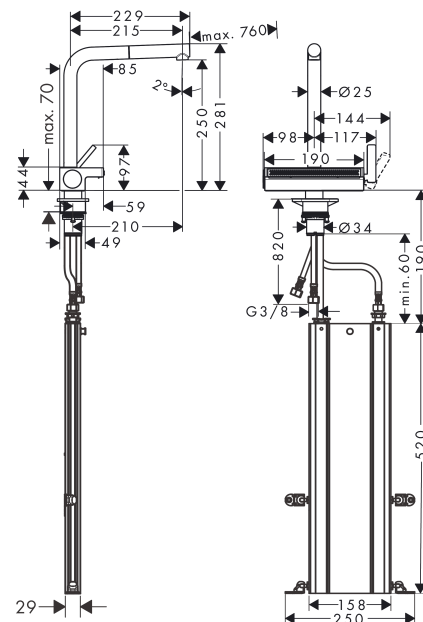
Design awards



Product image



Scale drawing



Aquno Select M81
Single lever kitchen mixer 250, pull-out spout, 2jet, sBox
 Finish: **Chrome** Article Number: **73830000**



Flowchart

