

Aquno Select M81

Single lever kitchen mixer 170, pull-out spray, 3jet, sBox
Finish: Chrome/Matt Black/Stainless Steel



Description

product features

- consists of: single lever kitchen mixer, hose box, multifunctional strainer
- ComfortZone 170
- swivel range adjustable in 3 steps 60°, 110° or 150°
- laminar spray, shower spray, SatinFlow
- change between SatinFlow and pull-out spray at the touch of a button
- lockable shower spray, spray returns through pressing spray diverter
- MagFit magnetic shower support
- connection dimension: DN15
- maximum flow rate at 3 bar: 6 l/min
- ceramic cartridge
- connection type: G 3/8 connections
- integrated non-return valve
- not suitable for continuous flow water heaters
- sBox for quiet, smooth and protected hose guidance in the cabinet, under the countertop
- extension length up to 76 cm
- tap hole with \varnothing 35 mm required, recommendation: the middle of tap hole drilling should be max. 50 mm from the back side of of the bowl
- EU taxonomy: max. 6 l/min - Substantial Contribution (SC)

Technology



Design awards

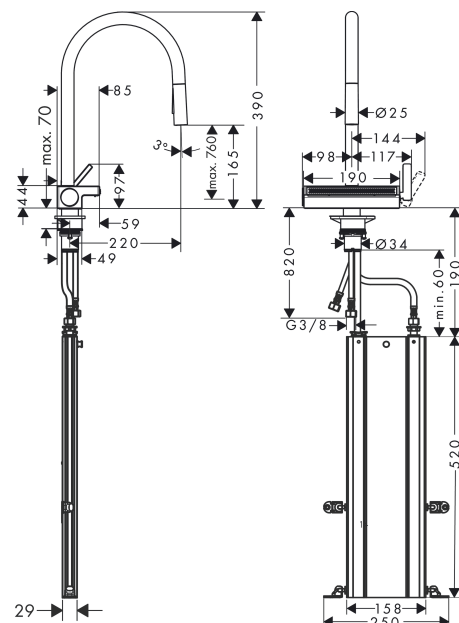


reddot winner 2020
best of the best

Product image



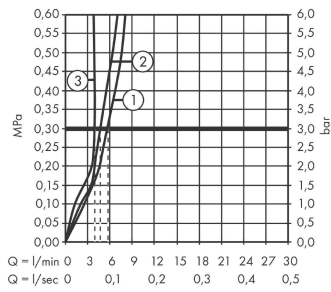
Scale drawing



Aquno Select M81
Single lever kitchen mixer 170, pull-out spray, 3jet, sBox
Finish: Chrome/Matt Black/Stainless Steel



Flowchart



- ① Normal spray
- ② Shower spray
- ③ SatinFlow

The consumption was measured in combination with the appropriate fittings (thermostat/mixer/in-wall valve) to reflect actual application in practice.