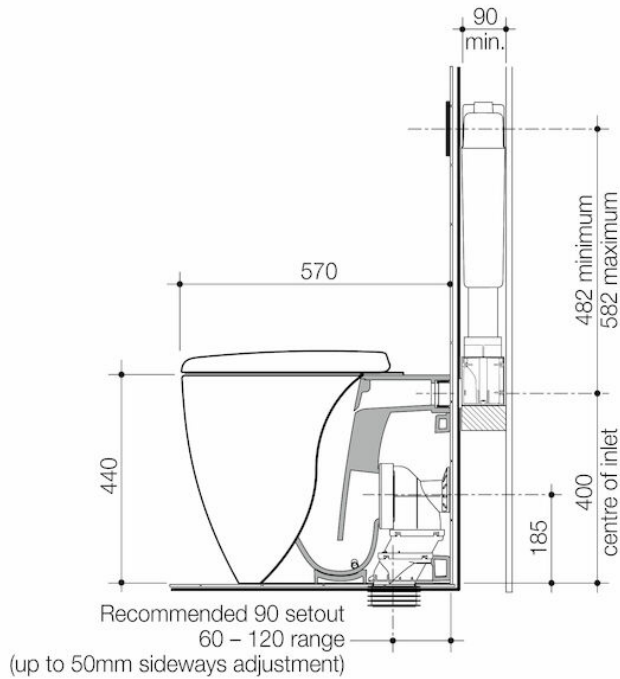


# Contura II Cleanflush® Invisi Series II® Wall Faced Suite - Clay

Code: 848901CL



## Attributes

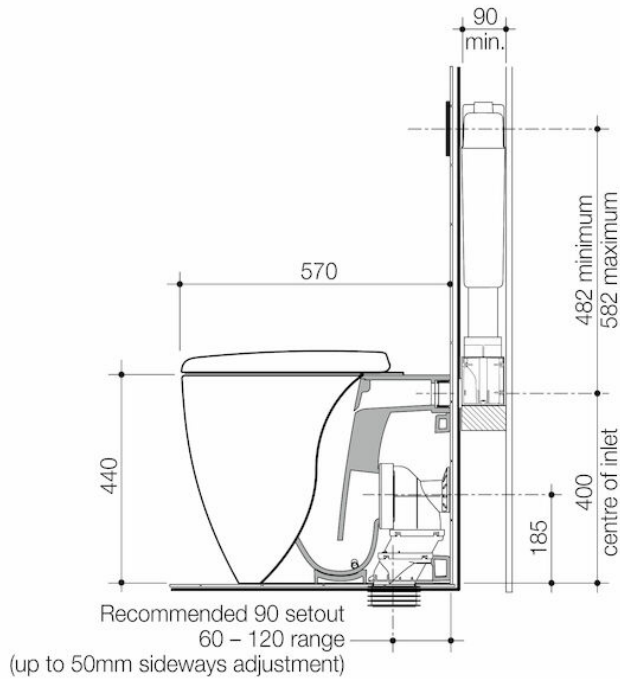
Clean flush product	Yes
Pan projection size	570
Pan height	440 mm
Boxed	No

## Features & Benefits

- Caroma CleanFlush® rimless technology is a patented Australian design that provides a whole bowl clean with no splashback
- GermGard® protection is a unique antimicrobial formula which kills harmful bacteria, this technology not only helps prevent the spread of nasty germs making cleaning even easier.
- Invisi Series II® concealed cistern is suitable for induct, in ceiling, in wall or undercounter installations (For undercounter installation use fixed flushpipe, code: 237222)
- Universal trap (UniTrap) for S or P trap installations
- S Trap 60 to 200mm, P Trap 185mm
- Drop zone and bowl design minimises cleaning
- Invisi Series II® flush buttons and toilet seat hinge caps colours match Contura II tapware
- Includes soft close toilet seat with quick release function for easy cleaning
- D82 fixing bracket included
- Supplied with patented UniOrbital® connector
- Easy height design: A raised seat height is easier to use for persons with restricted movement
- Complete the look with the matching Contura II Bathroom Collection
- Rough in and fit out kits included
- WELS 4 Rated, 4.5/3 (3.5L average flush)

# Contura II Cleanflush® Invisi Series II® Wall Faced Suite - Matte White

Code: 848901MW



## Attributes

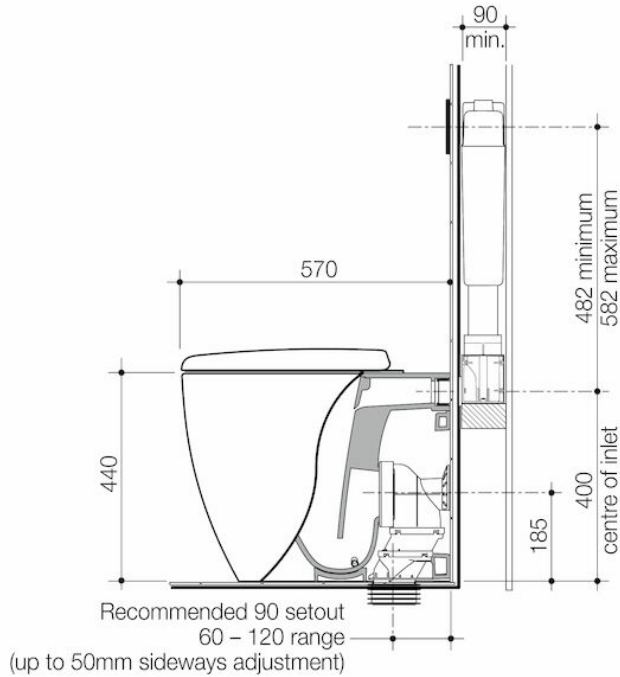
Clean flush product	Yes
Pan projection size	570
Pan height	440 mm
Boxed	No

## Features & Benefits

- Caroma CleanFlush® rimless technology is a patented Australian design that provides a whole bowl clean with no splashback
- GermGard® protection is a unique antimicrobial formula which kills harmful bacteria, this technology not only helps prevent the spread of nasty germs making cleaning even easier.
- Invisi Series II® concealed cistern is suitable for induct, in ceiling, in wall or undercounter installations (For undercounter installation use fixed flushpipe, code: 237222)
- Universal trap (UniTrap) for S or P trap installations
- S Trap 60 to 200mm, P Trap 185mm
- Drop zone and bowl design minimises cleaning
- Invisi Series II® flush buttons and toilet seat hinge caps colours match Contura II tapware
- Includes soft close toilet seat with quick release function for easy cleaning
- D82 fixing bracket included
- Supplied with patented UniOrbital® connector
- Easy height design: A raised seat height is easier to use for persons with restricted movement
- Complete the look with the matching Contura II Bathroom Collection
- Rough in and fit out kits included
- WELS 4 Rated, 4.5/3 (3.5L average flush)

# Contura II Cleanflush® Invisi Series II® Wall Faced Suite - White

Code: 848901W



## Attributes

Clean flush product	Yes
Pan projection size	570
Pan height	440 mm
Boxed	No

## Features & Benefits

- Caroma CleanFlush® rimless technology is a patented Australian design that provides a whole bowl clean with no splashback
- GermGard® protection is a unique antimicrobial formula which kills harmful bacteria, this technology not only helps prevent the spread of nasty germs making cleaning even easier.
- Invisi Series II® concealed cistern is suitable for induct, in ceiling, in wall or undercounter installations (For undercounter installation use fixed flushpipe, code: 237222)
- Universal trap (UniTrap) for S or P trap installations
- S Trap 60 to 200mm, P Trap 185mm
- Drop zone and bowl design minimises cleaning
- Invisi Series II® flush buttons and toilet seat hinge caps colours match Contura II tapware
- Includes soft close toilet seat with quick release function for easy cleaning
- D82 fixing bracket included
- Supplied with patented UniOrbital® connector
- Easy height design: A raised seat height is easier to use for persons with restricted movement
- Complete the look with the matching Contura II Bathroom Collection
- Rough in and fit out kits included
- WELS 4 Rated, 4.5/3 (3.5L average flush)