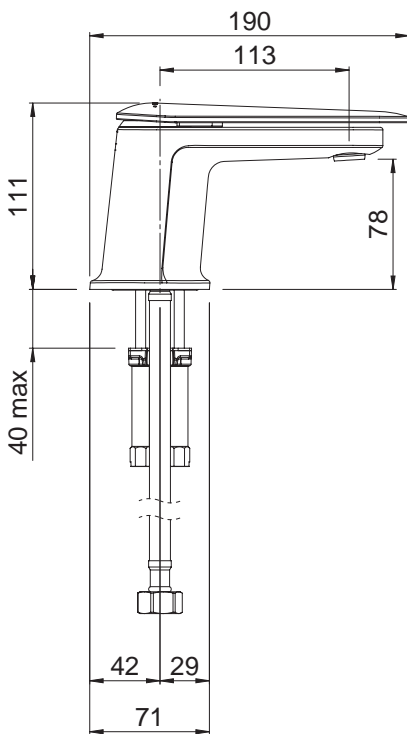


AIO BASIN MIXER

Beautifully sophisticated design crafted from Eco Brass[®], a lead-free brass created to help preserve water quality.

This revolutionary high quality, high strength, corrosion resistant material is lead and heavy metal free therefore, preserving water quality for both consumption and bathing.



CONSTRUCTION: Eco brass body

CARTRIDGE TYPE: Ceramic

CLASSIFICATION: Suitable for all pressure systems

INLET CONNECTIONS: 1/2" BSP

WORKING PRESSURE: 35 - 1000kPa

DIMENSIONS FOR FITTING: 35 - 38mm diameter hole

OPERATING TEMPERATURE: 5 °C - 80 °C

WATER FLOW RATE: 7.0 l/m

- Directional aerator for optimised stream directional
- Twin stud clamp kit ensuring a robust installation
- Lead free brass to protect water quality
- Integrated base ring to eliminate build up of dirt
- Flexible inlet hoses
- 4 star WELS rated on low pressure (6.5 l/pm)

AOBCP

Chrome

<http://www.methven.com/nz/aio-basin-mixer>