

Burlington®

Simply Exclusive
Classically styled bathrooms



Arcade Full back-to-wall close coupled pan and dual flush cistern - chrome flush lever

Code	Name
ARC4	Arcade full back to wall close coupled pan
ARC5	Arcade close coupled cistern (incl. lever flush cistern fittings)
A69 CHR	Arcade cistern lever & fixing caps - chrome
S18	Gloss white seat - chrome soft close hinge

TOTAL ARBWW

Finishes: White

Product Type: Traditional

Weight: 52.578 kg

Material: Vitreous china, toilet seat: Carbamide seat with zinc Alloy Hinge

Overall height: 88.5cm

Size: W 500 x D 670 x H 885 mm

All seat finishes:



Compliance / Approvals

BS EN 33:2011

Pedestal W.C. pans with close-coupled flushing cistern. Connecting dimensions

BS EN 997:2012

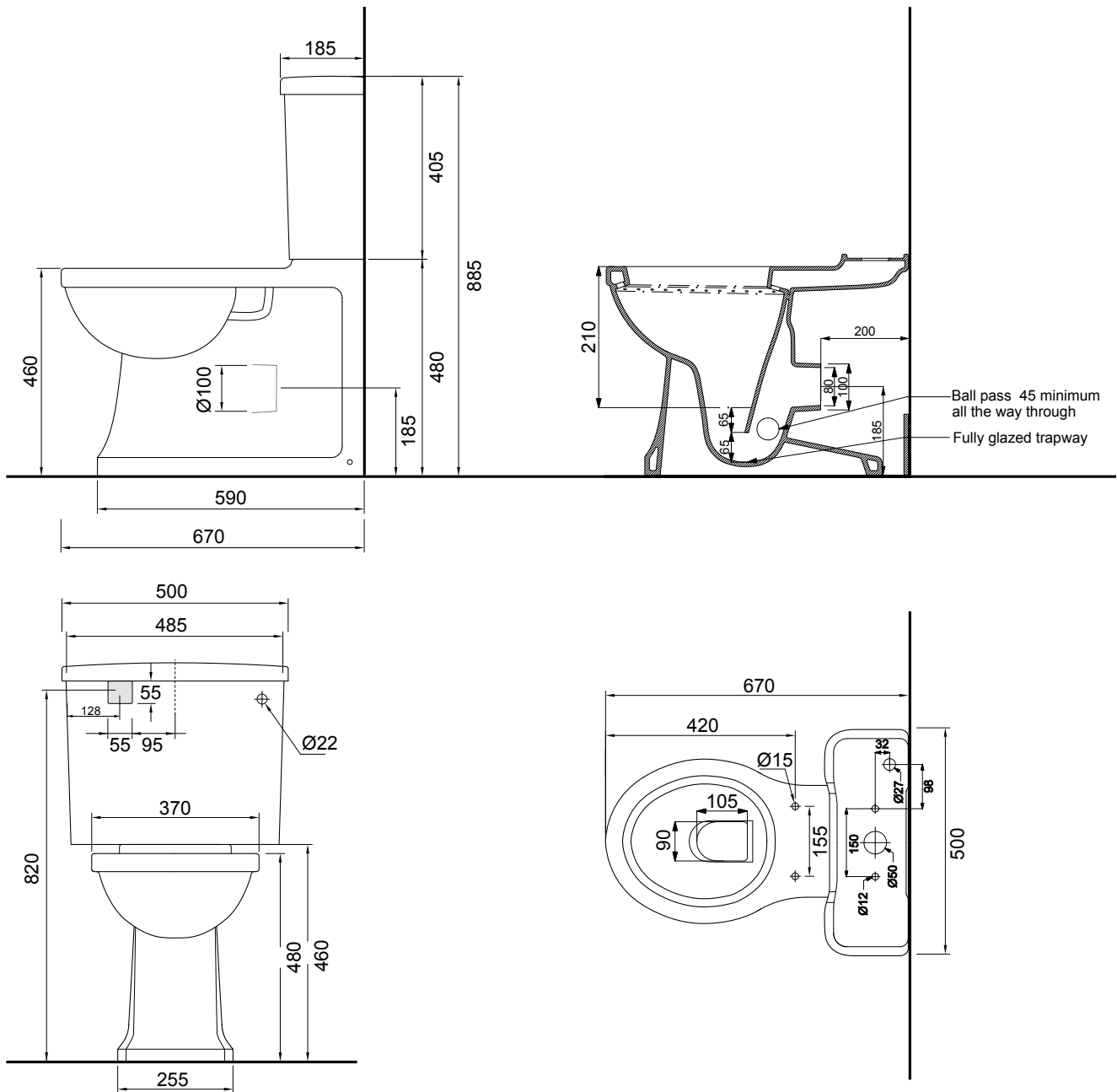
WC pans and WC suites with integral trap

Additional Information

- Seat/lid finishes available in Oak, Mahogany, White and Matt Black (indent item).
- Black or White ceramic flush lever also available at an additional cost.
- Includes S Trap Connector (STC) 185~245mm.
- Standard water entry.
- External of pan.
- Wingback location 200mm from finished floor. 230mm from centre of pan RH side.
- Wingback location 820mm from finished floor. 120mm from centre of cistern LH side.
- The cistern can be converted to a back inlet water connection for an extra charge – Back inlet water changeover kit (SP511).
- Drawing is only an indication of the product and does not reflect how the product will look.
- Sizes nominal only.

Burlington®

Simply Exclusive
Classically styled bathrooms

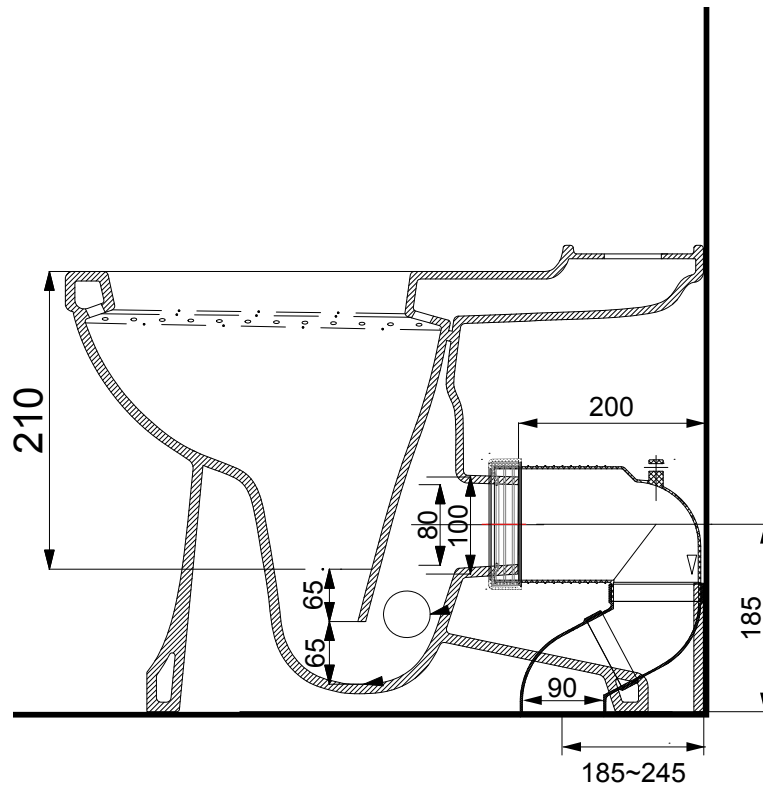


Remark:

- 1: Flatness of installation surface: 0~2mm
- 2: Flatness of whole surface: 0~5mm
- 3: Depth of water seal: Min.50mm
- 4: Spigot length: Min.40mm
- 5: Clearance around spigot: Min.150mm
- 6: Depth of inlet hole: Min.25mm
- 7: Height difference between left and right: 0~6mm
- 8: Height difference between front and rear: 0~6mm
- 9: From seat hole to front rim:
For the top control as 2mm;
For the bottom as 6mm

Burlington[®]

Simply Exclusive
Classically styled bathrooms



with STC S Trap Connector