

ILUMINAR LED MIRROR ROUND

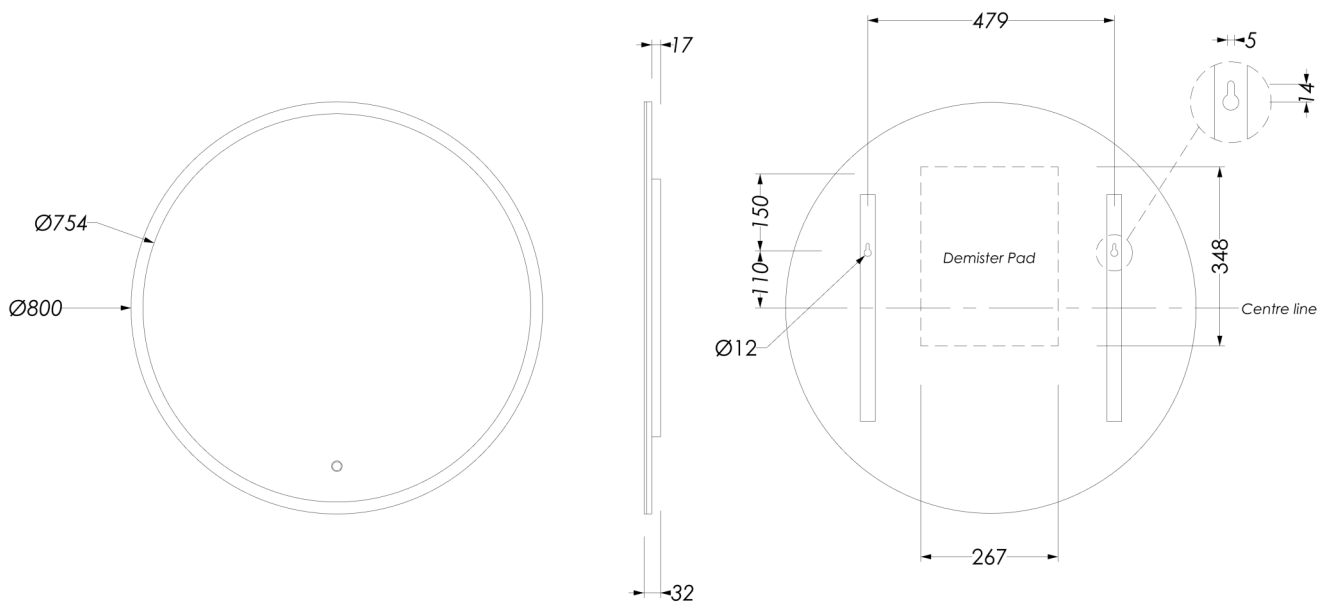
PRODUCT CODE: ILM080



MATERIAL	Vinyl backed mirror with acrylic LED lens, and anodized aluminium installation brackets
POWER REQUIREMENTS	Input - 240 V 50 Hz Output - 24 V DC LED - 28.8 W Demister - 34.87 W
DIAMETER	800 mm
ORIGIN	PRC
WARRANTY	2 years*
STANDARD APPROVALS	AS/NZS 60598.1:2017

FEATURES

- Copper and lead free, and edge sealed
- Cool and warm lighting options
- Demister pad included



10/07/2023

All measurements are nominal.

*Warranties apply to residential domestic use only. Warranty is void if product is not installed according to our specifications. Refer to website and installation guide for further information.