

AXOR Citterio M Single lever basin mixer 100 with waste set



product features

- consists of: single lever basin mixer, waste set
- ComfortZone 100
- projection: 128 mm
- spout height: 100 mm
- handle variant: lever handle
- spray type: normal spray
- maximum flow rate at 3 bar: 5 l/min
- ceramic cartridge
- temperature limitation adjustable
- suitable for continuous flow water heaters
- non-closing waste set
- connection type: G 3/8 connections
- connection dimension: DN15
- EPD Basin Faucets

Technology



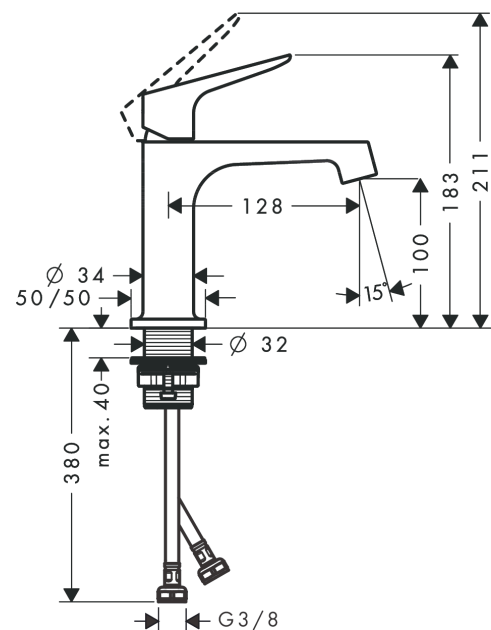
Certificates / Sustainability



Product image



Scale drawing



AXOR Citterio M
Single lever basin mixer 100 with waste set
 Finish: **Chrome** Article Number: **34017000**



Flowchart

