

**AXOR Massaud**  
**Single lever basin mixer 110 with waste set**  
 Finish: **Chrome**



**product features**

- consists of: single lever basin mixer, waste set
- ComfortZone 110
- projection: 100 mm
- spout height: 108 mm
- handle variant: cylinder handle
- spray type: wide flood jet
- maximum flow rate at 3 bar: 4 l/min
- ceramic cartridge
- suitable for continuous flow water heaters
- non-closing waste set
- connection type: G 3/8 connections
- connection dimension: DN15

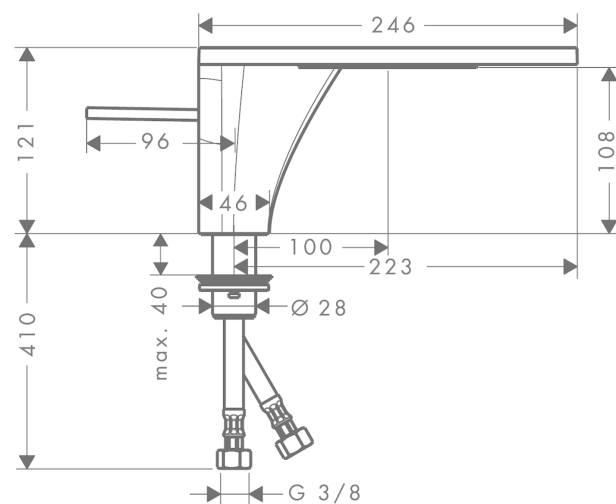
**Technology**



**Product image**



**Scale drawing**



**AXOR Massaud**  
**Single lever basin mixer 110 with waste set**  
**Finish: Chrome**



## Flowchart

