

AXOR Starck Organic
2-handle basin mixer 240 for wash bowls with waste set
 Finish: **Chrome**



product features

- consists of: 2-handle basin mixer, waste set
- ComfortZone 240
- projection: 124 mm
- spout height: 241 mm
- handle variant: cylinder handle
- spray type: shower spray
- maximum flow rate at 3 bar: 3,5 l/min
- flow rate booster: 5 l/min
- ceramic cartridge for temperature control
- ceramic valve for volume control
- temperature limitation adjustable
- separation of temperature and volume control
- with isolated water conduction - without contact with nickel and lead
- suitable for continuous flow water heaters
- non-closing waste set
- connection type: G 3/8 connections
- connection dimension: DN15

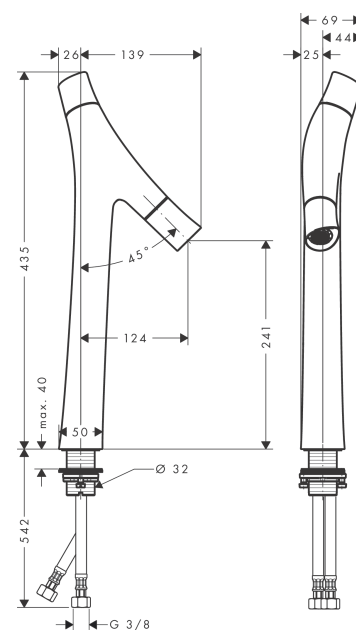
Technology



Product image



Scale drawing



AXOR Starck Organic
2-handle basin mixer 240 for wash bowls with waste set
Finish: Chrome



Flowchart

