

AXOR Urquiola
Single lever shower mixer for concealed installation
Finish: **Chrome**



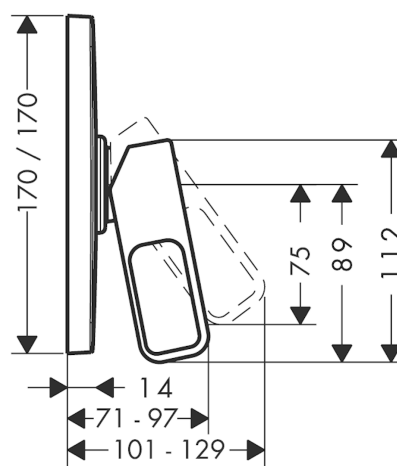
product features

- 1 function
- maximum flow rate at 3 bar: 29 l/min
- ceramic cartridge
- temperature limitation adjustable
- with silencer
- suitable for continuous flow water heaters
- min. operating pressure: 1 bar
- max. operating pressure: 10 bar
- connection type: basic set

Product image



Scale drawing



AXOR Urquiola
Single lever shower mixer for concealed installation
Finish: **Chrome**



Flowchart

