

RIADA 1700 FREESTANDING BATH

PRODUCT SPECIFICATIONS



FINISH	Gloss white interior Matt finish exterior
MATERIAL	Acrylic, fiberglass reinforced
WIDTH (mm)	1700
DEPTH (mm)	800
HEIGHT (mm)	585
WORKING WATER CAPACITY	301 L
WASTE POSITION	Centre
ORIGIN	PRC
STANDARD APPROVALS	AS/NZS 2023-1995

NOTES

- 5 year warranty*
- Designed in Aotearoa / New Zealand
- Slim edge with matt, fluted design
- Suitable for wall or floor mounted tapware
- Included - adjustable feet for easy installation**

PRODUCT CODES & FINISHES



BFRI05MW170
Matt White



BFRI05SG170
Slate Grey



BFRI05CM170
Cement

SEPTEMBER 2023

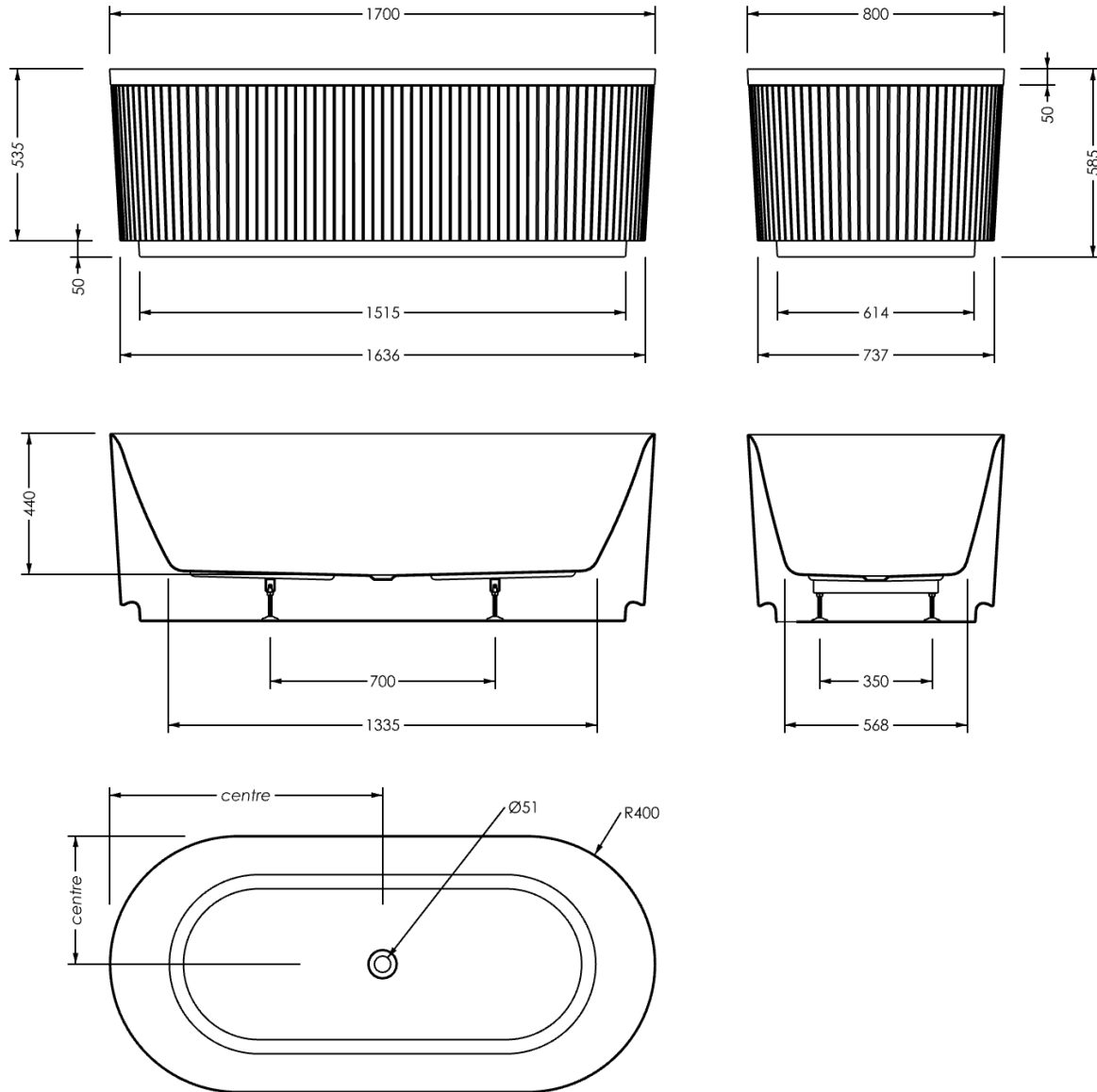
ALL MEASUREMENTS ARE NOMINAL

*Warranties apply to residential domestic use only. Warranty is void if product is not installed according to our specifications.

**For further information on product options and installation guides, refer to website.

RIADA 1700 FREESTANDING BATH

TECHNICAL SPECIFICATIONS



SEPTEMBER 2023

ALL MEASUREMENTS ARE NOMINAL

*Warranties apply to residential domestic use only. Warranty is void if product is not installed according to our specifications.

**For further information on product options and installation guides, refer to website.