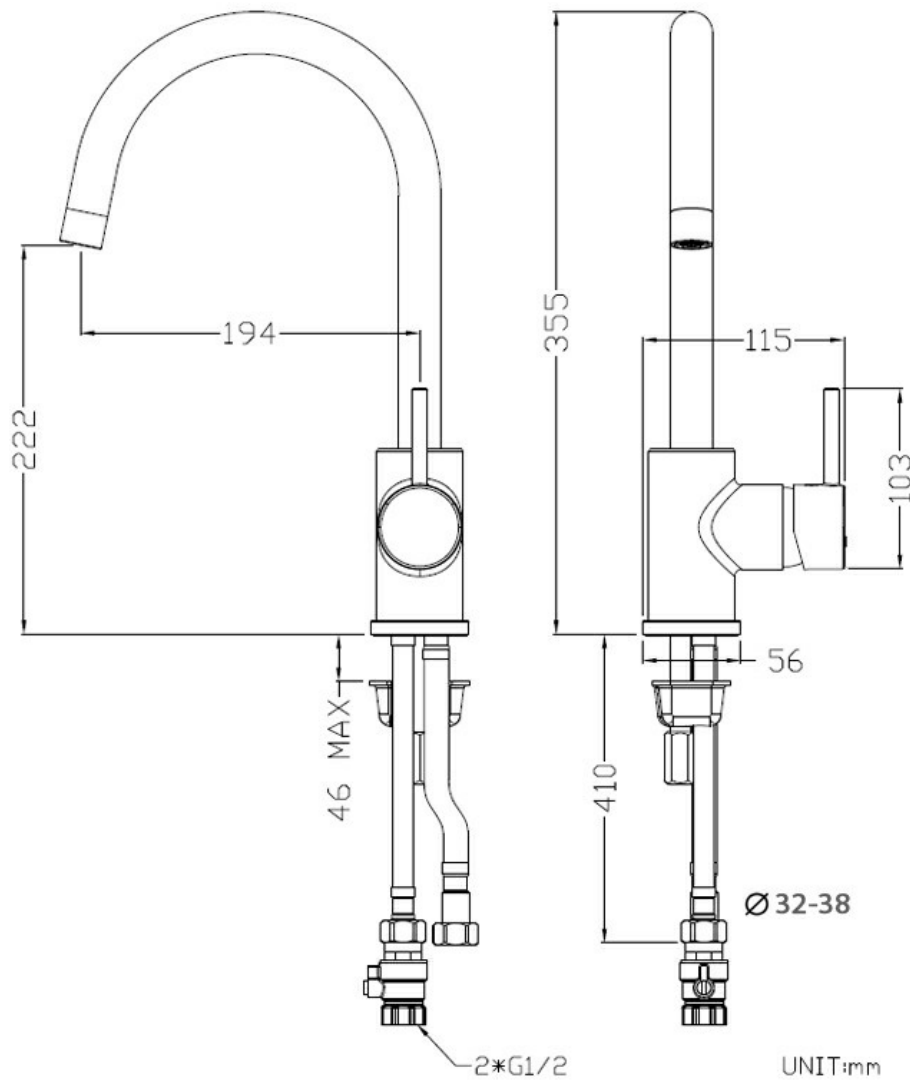


UNO GOOSE NECK KITCHEN MIXER

ELEMENTI



10

Guarantee

10 Year Guarantee

5

Guarantee

5 Year Guarantee on coloured finish



5 Star WELS rating

More than 4.5 but not more than 6 litres per minute.
Mains & Low/Unequal Pressure Pressure



Mains Pressure

Suitable for Mains
Pressure.



Multi Pressure

Suitable for Multi
Pressure.



Flawless Finish

Advanced plating provides a durable surface with a long
lasting finish





Effortless Control

Advanced cartridge technology provides a wide operating angle and smooth operation



Smooth Flow

Aerator reduces scaling while delivering a smooth even flow



Indicators

Includes standard and coloured indicators.



Forward rotating handle

Forward rotating handle prevents the lever hitting the splashback.



Swivel Spout

The Swivel spout provides space, flexibility and ease of use.



Chrome Plate

A base of copper is first applied followed by a layer of nickel and then finally a hard gloss coating of chromium to achieve a shiny hard wearing finish.



Blackened Oil Bronze: Black

Parts are firstly nickel plated then blackened oxidation process to apply the base colour. and a transparent liquid polymer is applied achieve a mat finish and hardened surface.



Electroplated: Gun Metal

Electrical current is used to dissolve components into Lacquer that then adhere to the surface.



Electroplated with PVD: Brushed Nickel

Electrical current is used to dissolve components into Lacquer that then adhere to the surface. A thin metal-spray coating in the form of very thin layers is finally applied using PVD process.



Electroplated with PVD: Brushed Brass

Electrical current is used to dissolve components into Lacquer that then adhere to the surface. A thin metal-spray coating in the form of very thin layers is finally applied using PVD process.

The Uno collection offers a glamorous look without being too ostentatious. After years of chrome dominating as the must-have metal, there has been a move away from the high shine, perfect finish of Chrome towards finishes like Brushed Nickel, Gun Metal, Black and Brushed Brass.