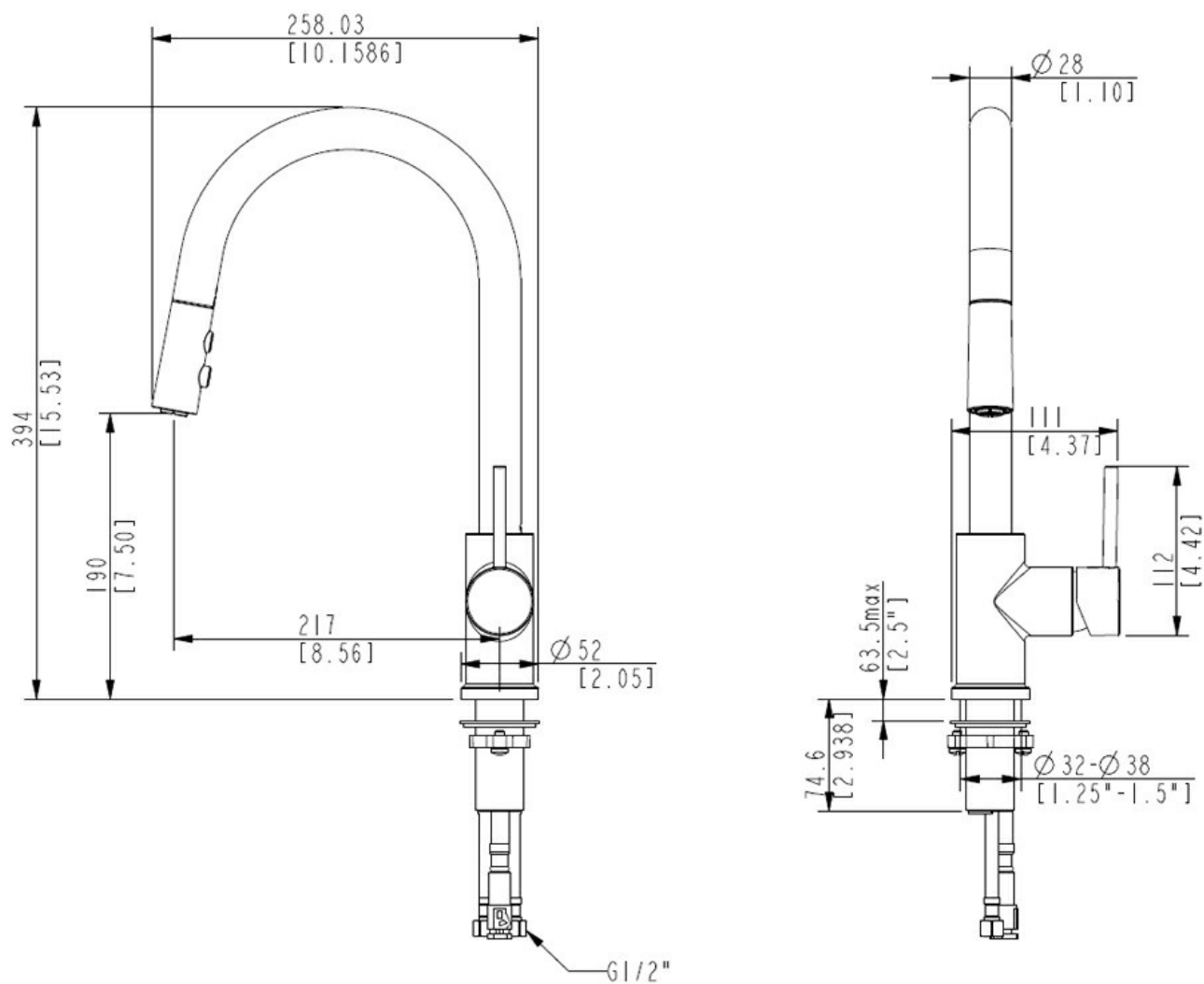


UNO GOOSE NECK KITCHEN MIXER C/W POS

ELEMENTI



Residential/Light Commercial Use

Suitable for Residential/Light Commercial Use (Kitchens, Bathrooms and Laundries in Hotels, Motels and Retirement Villages).

5

Guarantee

5 Year Guarantee on coloured finish

10

Guarantee

10 Year Guarantee



4 Star WELS rating

More than 6.0 but not more than 7.5 litres per minute.



Mains Pressure

Suitable for Mains Pressure.



Flawless Finish

Advanced plating provides a durable surface with a long lasting finish





Effortless Control

Advanced cartridge technology provides a wide operating angle and smooth operation



Smooth Flow

Aerator reduces scaling while delivering a smooth even flow



Indicators

Includes standard and coloured indicators.



Forward rotating handle

Forward rotating handle prevents the lever hitting the splashback.



Pull Out Spray

Make life easier with a pull out spray.



Swivel Spout

The Swivel spout provides space, flexibility and ease of use.



Chrome Plate

A base of copper is first applied followed by a layer of nickel and then finally a hard gloss coating of chromium to achieve a shiny hard wearing finish.



Blackened Oil Bronze: Black

Parts are firstly nickel plated then blackened oxidation process to apply the base colour. and a transparent liquid polymer is applied achieve a mat finish and hardened surface.



Electroplated: Gun Metal

Electrical current is used to dissolve components into Lacquer that then adhere to the surface.



Electroplated with PVD: Brushed Nickel

Electrical current is used to dissolve components into Lacquer that then adhere to the surface. A thin metal-spray coating in the form of very thin layers is finally applied using PVD process.



Electroplated with PVD: Brushed Brass

Electrical current is used to dissolve components into Lacquer that then adhere to the surface. A thin metal-spray coating in the form of very thin layers is finally applied using PVD process.

The Uno collection offers a glamorous look without being too ostentatious. After years of chrome dominating as the must-have metal, there has been a move away from the high shine, perfect finish of Chrome towards finishes like Brushed Nickel, Gun Metal, Black and Brushed Brass.