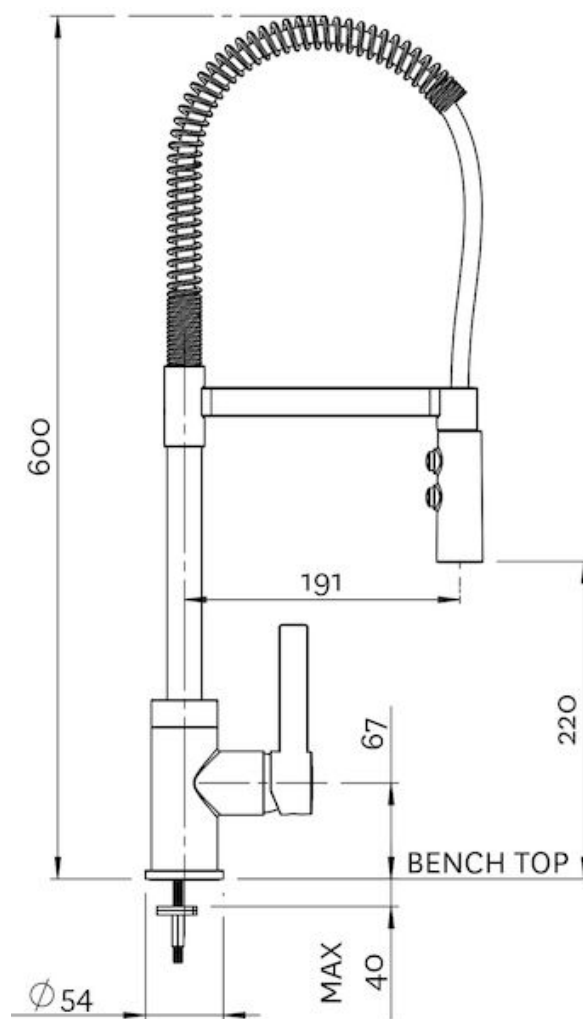


GASTON SINK MIXER



CONSTRUCTION: Brass body

CARTRIDGE TYPE: KCG 35 mm ceramic

SUPPLY: Suitable for mains pressure only

INLET CONNECTIONS: 1/2" BSP Female

WORKING PRESSURE: 150 - 1000kPa

DIMENSIONS FOR FITTING: 35mm diameter hole

OPERATING TEMPERATURE: 5 °C - 80 °C

- Fully flexible metal pull-down hose for longevity
- Stylish, easy-to-grip paddle lever handle
- 360° swivel spout fitted with combination twin action aerator - rain spray and aerated flow with pause function
- Solid metal 191mm arm support with clip to ensure controlled spray direction
- Twin screw installation method
- Flexible inlet hoses

02-9402F

Chrome

02-1055F

Chrome/Black