

GB50 & GB50T (Cabinet Only)

GRANDANGOLO BOX

Michel César
bathroom collection



Grandangolo Box GB80 in Natural Oak with YOXN01 DX Basin (left) & YOYE SX Basin (right).

500 Wall Hung, 1 Drawer plus 1 Concealed drawer

+ Dimensions — **W** 500mm **H** 400mm **D** 500mm

+ Paint — The paint used on our products is polyurethane or UV based. It is five times harder and more durable than lacquer finishes. Hundreds of colour matches available.

+ Timber finishes — Our timber finishes are available Dark Oak, Natural Oak, White Oak, Walnut, Noce, Chestnut and Tussock. Being 100% natural products, each will have variations in grain and colour. All come stained and sealed with a protective UV finish.

Finishes



Dark Oak

Natural Oak

White Oak

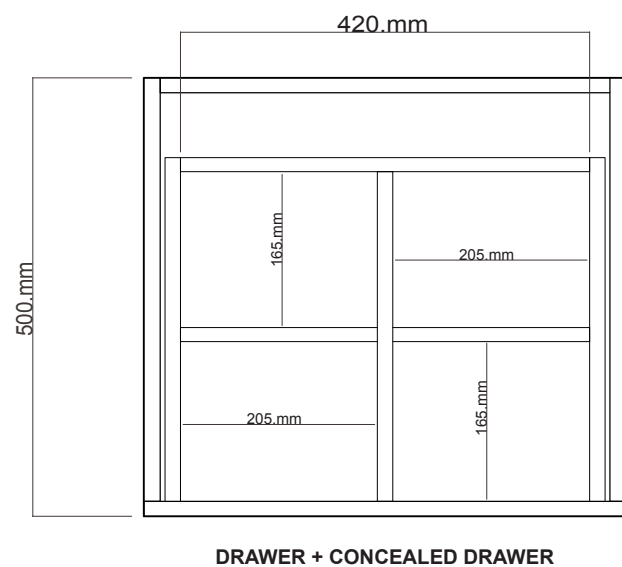
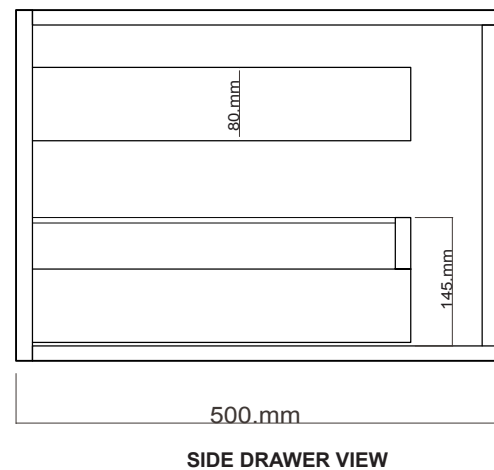
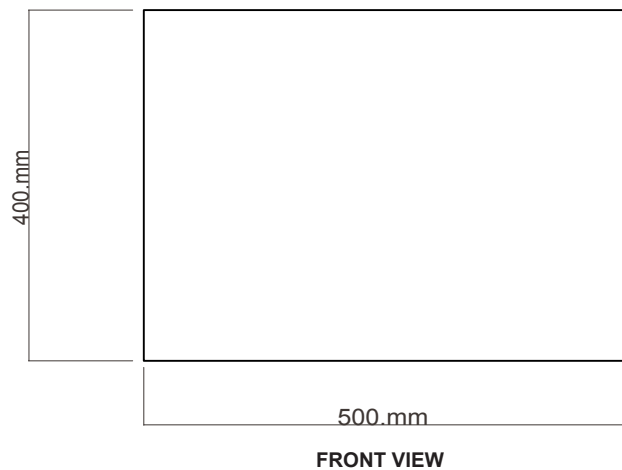
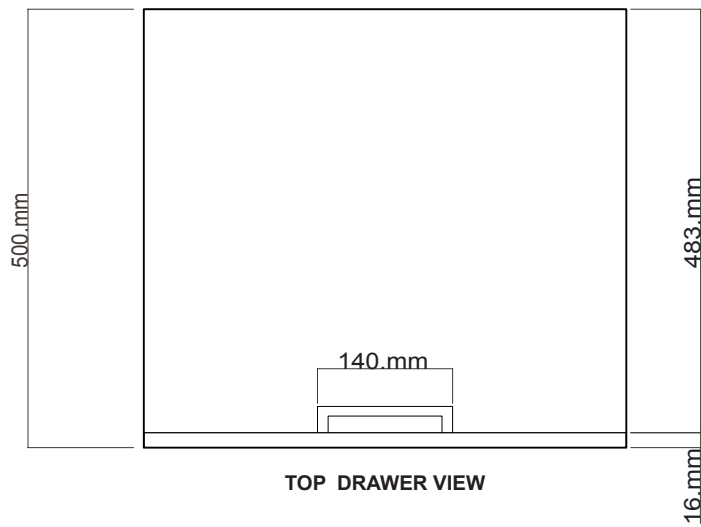
Noce

Walnut

Chestnut

Tussock

White Paint Finish



GRANDANGOLO BOX

Code: GB50

Description: Box 500 1 Drawer
Plus 1 Concealed
Drawer, White
Cabinet.