

**Talis E**  
**Single lever basin mixer 110 without waste set**  
 Finish:



### Description

**product features**

- ComfortZone 110
- projection: 112 mm
- spout height: 104 mm
- handle variant: lever handle
- spray type: normal spray
- maximum flow rate at 3 bar: 5 l/min
- ceramic cartridge
- temperature limitation adjustable
- suitable for continuous flow water heaters
- connection type: G 3/8 connections
- connection dimension: DN15
- EPD Basin Faucets

### Technology



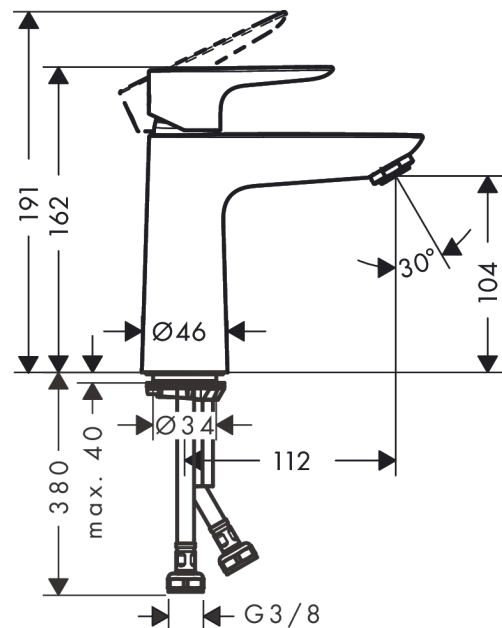
### Design awards



### Product image



### Scale drawing



### Flowchart

