

## Talis M52 Single lever kitchen mixer 170, 1jet



### Description

#### product features

- ComfortZone 170
- swivel range 150°
- normal spray
- connection dimension: DN15
- maximum flow rate at 3 bar: 16 l/min
- ceramic cartridge
- connection type: G 3/8 connections
- temperature limitation adjustable
- suitable for continuous flow water heaters

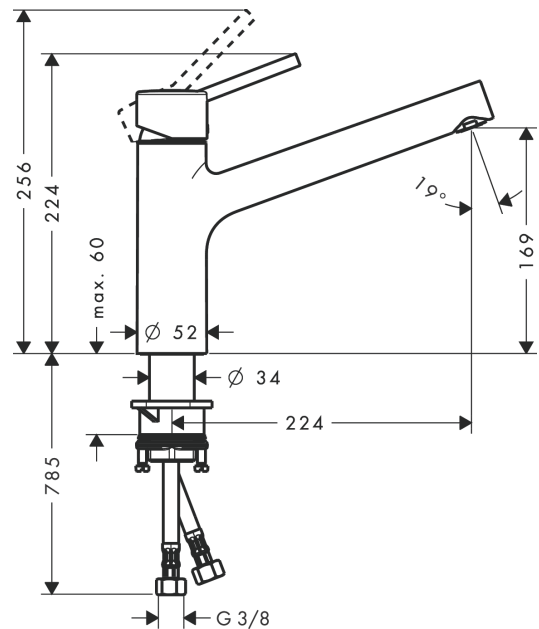
### Technology



### Product image



### Scale drawing



### Flowchart

