

Talis M54
Single lever kitchen mixer 220, 1jet
 Finish: **Chrome/Matt Black/Stainless Steel**



Description

product features

- ComfortZone 220
- swivel range adjustable in 4 steps 60°, 110°, 150° or 360°
- laminar spray
- connection dimension: DN15
- maximum flow rate at 3 bar: 9 l/min
- ceramic cartridge
- connection type: G 3/8 connections
- temperature limitation adjustable
- suitable for continuous flow water heaters
- tap hole with Ø 35 mm required
- EPD Kitchen Faucets

Technology



Design awards



reddot winner 2020



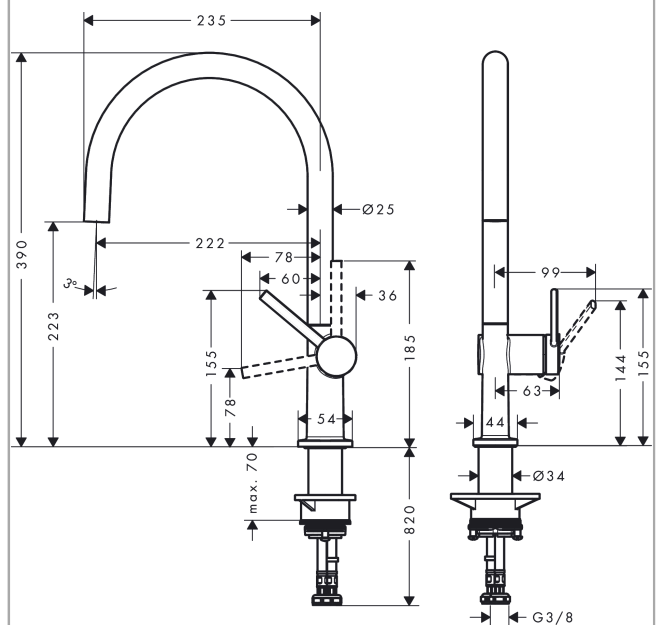
Certificates / Sustainability



Product image



Scale drawing



Flowchart

