

## Zesis M33

### Single lever kitchen mixer 150, 1jet



#### Description

##### product features

- ComfortZone 150
- swivel range adjustable in 3 steps 60°, 110° or 360°
- normal spray
- connection dimension: DN15
- maximum flow rate at 3 bar: 11,6 l/min
- ceramic cartridge
- connection type: G 3/8 connections
- temperature limitation adjustable
- suitable for continuous flow water heaters

#### Technology



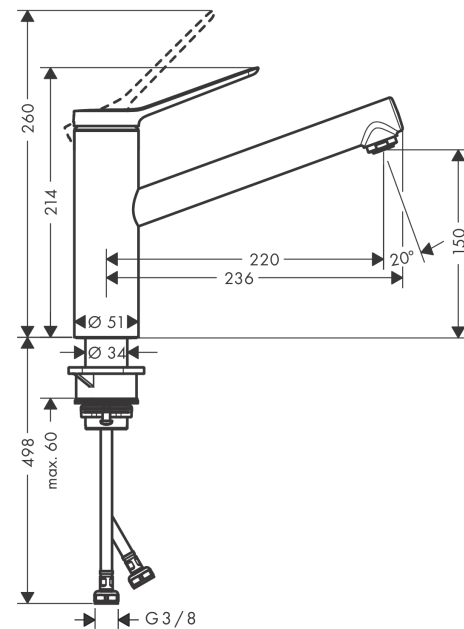
#### Design awards



#### Product image



#### Scale drawing



#### Flowchart

