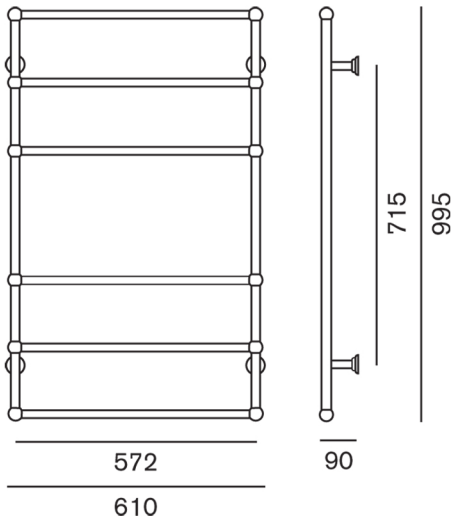


**CARLTON TOWEL WARMER**  
**995x610x90**  
**WCA1000**

**HEIRLOOM**  
THE FINISHING TOUCH



**MEASUREMENTS SUBJECT TO MANUFACTURING TOLERANCE**  
**SPECIFICATIONS MAY CHANGE WITHOUT NOTICE**