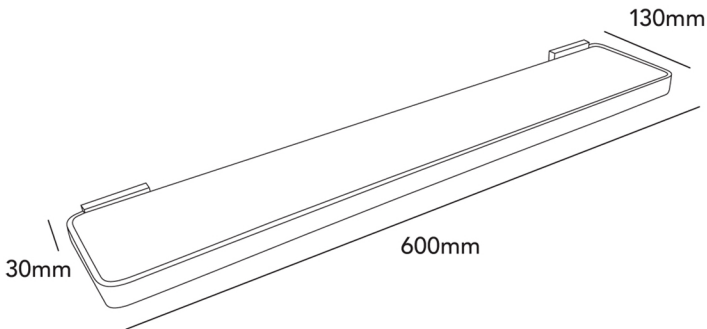


**PODIUM GLASS SHELF**  
**POGS/CB/N/BN/GM**

**HEIRLOOM**  
THE FINISHING TOUCH



**MEASUREMENTS SUBJECT TO MANUFACTURING TOLERANCE**  
**SPECIFICATIONS MAY CHANGE WITHOUT NOTICE**