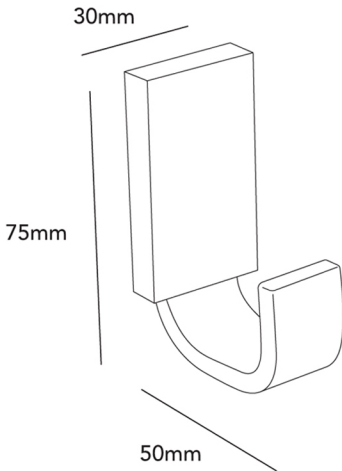


PODIUM ROBE HOOK
PORH/CB/N/BN/GM

HEIRLOOM
THE FINISHING TOUCH



MEASUREMENTS SUBJECT TO MANUFACTURING TOLERANCE
SPECIFICATIONS MAY CHANGE WITHOUT NOTICE