



Made in the USA

EMERSON™ E20 Food Waste Disposer

The Emerson E20 has been designed as a low cost food waste disposer. But don't be fooled by the price, the E20 offers high standards of performance and reliability, as it's made by InSinkErator the largest manufacturer of food waste disposers in the world!



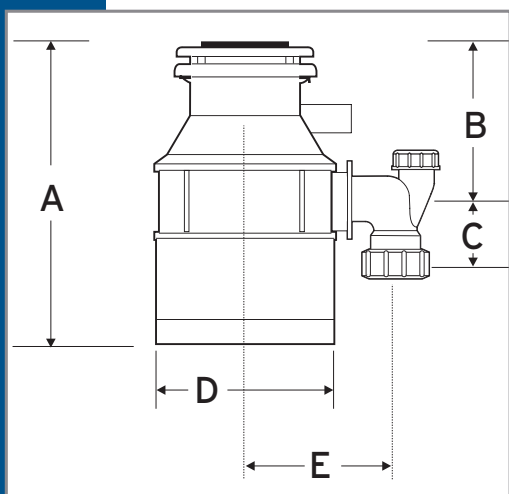
Key Features

- Made in the USA
- 1-stage grind technology
- 0.55HP High-torque Dura-Drive™ induction motor
- Standard grind chamber
- Continuous feed
- Overload protection
- Quick Lock® mounting assembly for faster, easier installation
- Air switch accessory available
- 2 Year Warranty

Specifications

Type of Feed	Continuous	Grind Chamber Capacity	980 ml
On/Off	Wall Switch	Motor Protection	Manual Reset Overload
Power Supply	Single Phase	Average Water Usage	Approximately 4.0 L per Person per Day
Time Rating	Intermittent	Average Electrical Usage	5-6 KWH per Annum
Lubrication	Permanently Lubricated Upper & Lower Bearings	Drain Connection	1-1/2" (3.81 cm)
Grind Technology	1-Stage Grind Technology	Dishwasher Connection	Yes
Sound Technology	Quiet Sink Baffle Sound Insulation		

Volts/Hz	HP	RPM
220-240V, 50 Hz	.55	1490



Dimensions

A = 318mm D = 159mm
 B = 168mm E = 131mm
 C = 64mm

Emerson reserves the right to change product specifications without prior notice. The disposer described in this leaflet is for household use; usage in commercial situations is not covered by warranty.

