

Product

- Evok 2.0 seamless oval freestanding bath

Kohler Code

25167A-0



Included Components

- 40mm chrome pop-up waste and overflow

Features

- Fully reinforced Freestanding Slimline acrylic bath
- Seamless smooth gloss finish for easy clean
- Extra slim 25mm rim offering a minimalist elegant design
- Ergonomically designed, bringing a deep luxurious soaking experience

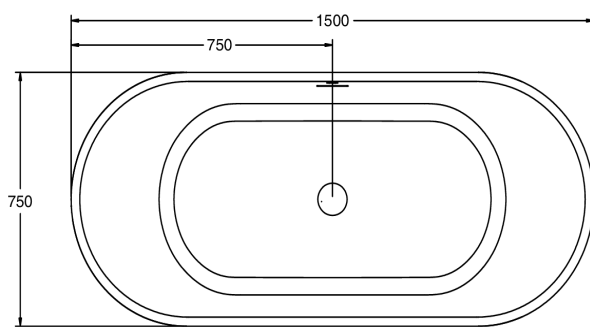
Material

- Acrylic

Colour

- White

Technical Details

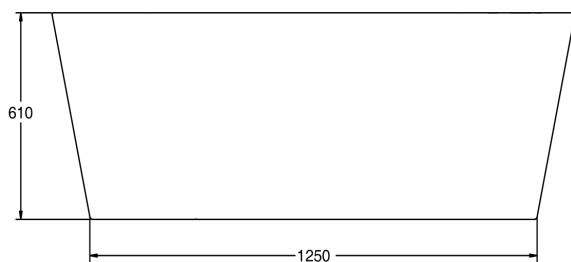


Top View

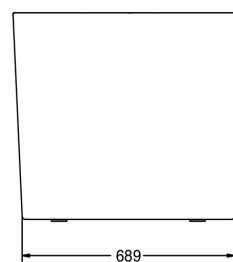
External Measurements
L 1500 x W 750 x D 610

Internal Measurements
Seating Width: 564mm
Base Length: 927mm
Depth: 410mm

Full Capacity: 228 L
Dry Weight: 42 kg



Front View



Side View

Installation Notes:

- Floor must provide support for a minimum of 400kg/m² and must be level.