

**Product**

- Evok 2.0 seamless round freestanding bath

**Kohler Code**

25163A-0

**Included Components**

- 40mm chrome pop-up waste and overflow

**Features**

- Fully reinforced Freestanding Slimline acrylic bath
- Seamless smooth gloss finish for easy clean
- Extra slim 25mm rim offering a minimalist elegant design
- Ergonomically designed, bringing a deep luxurious soaking experience

**Material**

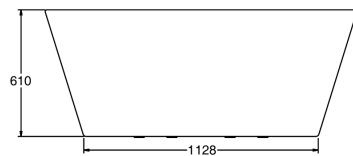
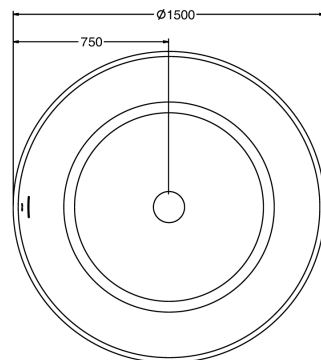
- Acrylic

**Colour**

- White

**Technical Details**

Top View



Front View

**External Measurements**  
L 1500 x W 1500 x D 610**Internal Measurements**  
Base: Ø908mm  
Depth to overflow: 410mm**Full Capacity: 390 L**  
**Dry Weight: 58 kg****Installation Notes:**

- Floor must provide support for a minimum of 400kg/m<sup>2</sup> and must be level.