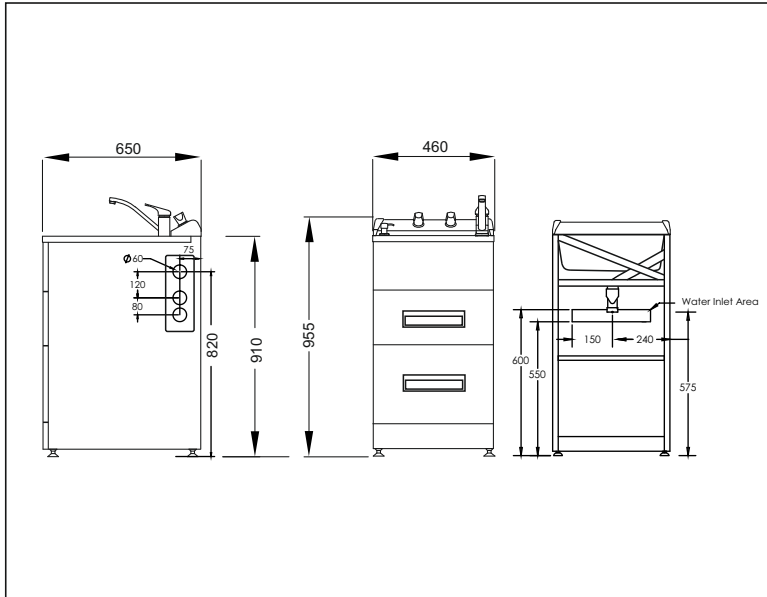


Aquatica Laundry Tubs

Laundra460 Max

aquatica



Code: LAUNDRA460 MAX

Stainless Steel top with Sink Mixer

- Robust long-life powder-coated galvanised steel cabinet with diagonal rear brace
- Metal washing machine taps mounted on console
- Pressed seamless laundry tub with anti-drip lip
- Single lever all pressure mixer - 5 year warranty
- Recessed drawer handle
- Drawer storage basket
- Metal waste with lint strainer
- 20yr warranty on stainless steel bowl
- Height easily adjustable via feet (Approximately 15mm adjustment)
- Designer overflow capacity greater than 25 l/min
- Standard tap height approximately (≈) 165mm
- Waste outlet approximately 575mm to 590mm from ground depending on height adjustment on feet
- Full extension quality drawer runners to allow full access to storage bucket
- Flowing soap dispenser
- **Area Allowed for Water Inlet Location:**
 - Maximum Height (from floor): 600mm
 - Minimum Height (from floor): 550mm
 - Recommended Height (from floor): 575mm
 - Maximum Width (from Centre line): ± 150mm

Note: Inlets can be anywhere in this area provided they do not interfere with trap or waste line



KIWI OWNED COMPANY

NZ • DESIGNED
• ASSEMBLED
• TESTED

Suitable for low/unequal & mains pressure systems

Recommended Operational Pressure Range: 35 - 600 kPa
Maximum Operating Temp: 80°C Never to Exceed: 1000 kPa



Please note: Specifications are subject to change without notice. It is the responsibility of the installer to check the measurements of the physical product before installation