

SPECIFICATIONS

Lavage Duo Vanities - Single Height Drawers



- Suits 1 centre vessel basin

Lavage Duo 750 1 Drawer Vanity
LAVO75S • 750W x 460D x 370H



- Suits 1 centre vessel basin

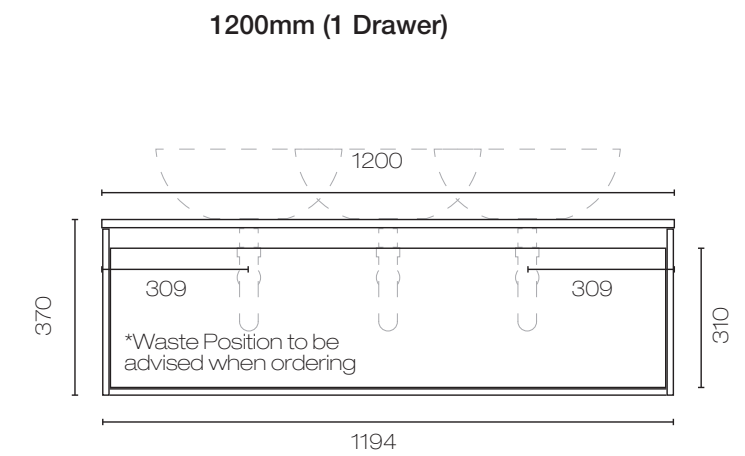
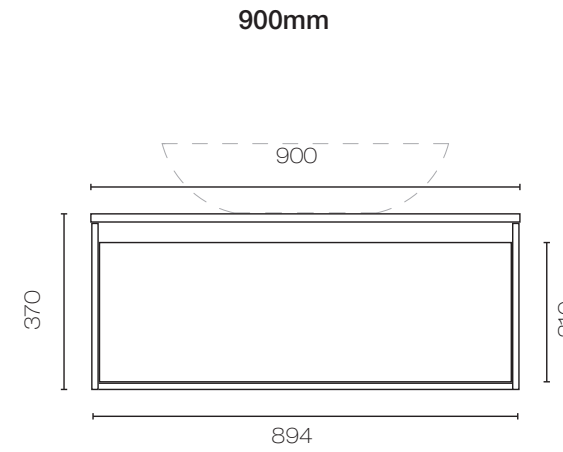
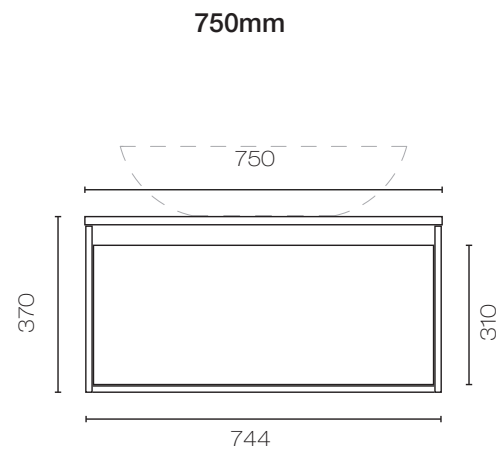
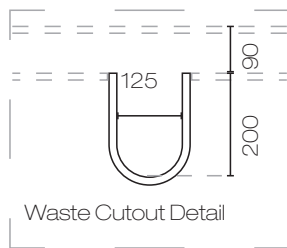
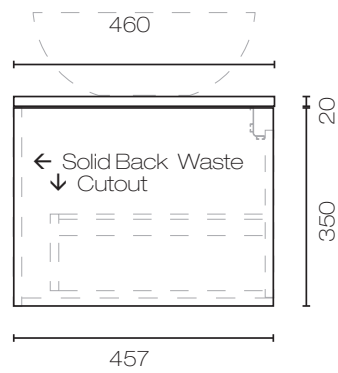
Lavage Duo 900 1 Drawer Vanity
LAVO90S • 900W x 460D x 370H



- Suits 1 or 2 vessel basins (specify placement when ordering)

Lavage Duo 1200 1 Drawer Vanity
LAVO120S • 1200W x 460D x 370H

Side View



NOTE:
Specify basin placement when ordering

Installers Note



Lavage Uno basins are supplied with no taphole however taphole can be drilled onsite with drill bit supplied.