

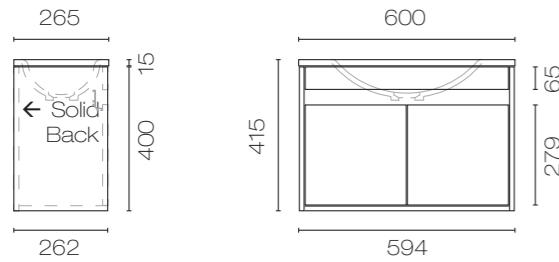
SPECIFICATIONS

Lavage Slim Vanities

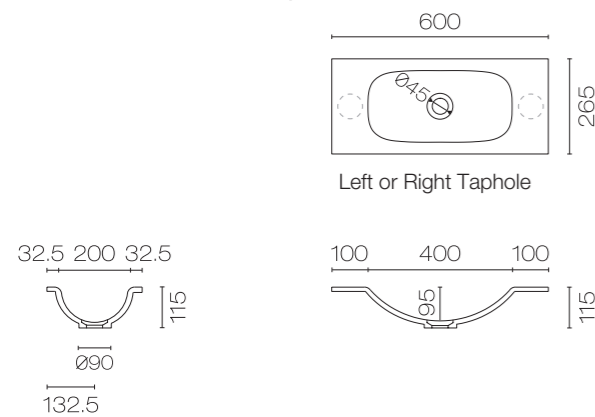


Lavage Uno Slim 600 2 Door Vanity
LAV60SSL • 600W x 260D x 415H
• Left or right taphole

600mm (2 Door)

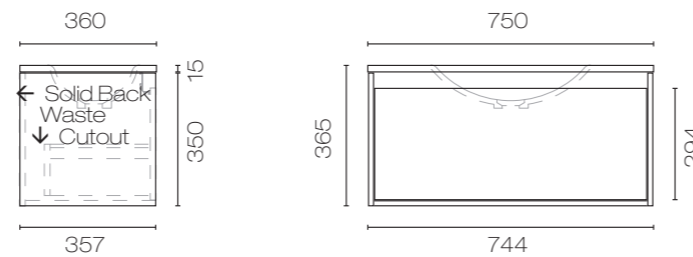


600mm Top View

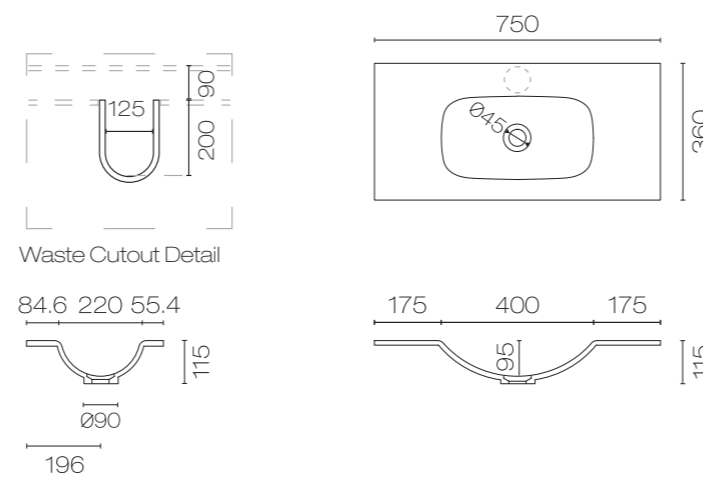


Lavage Uno Slim 750 1 Drawer Vanity
LAV75SSL • 750W x 360D x 415H

750mm (1 Drawer)

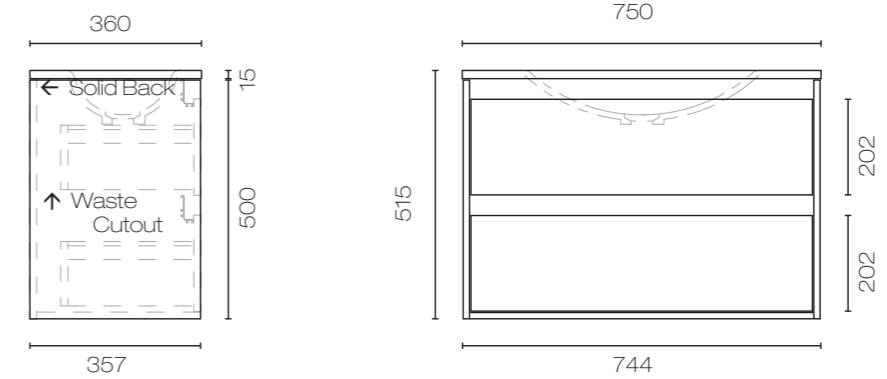


750mm Top View

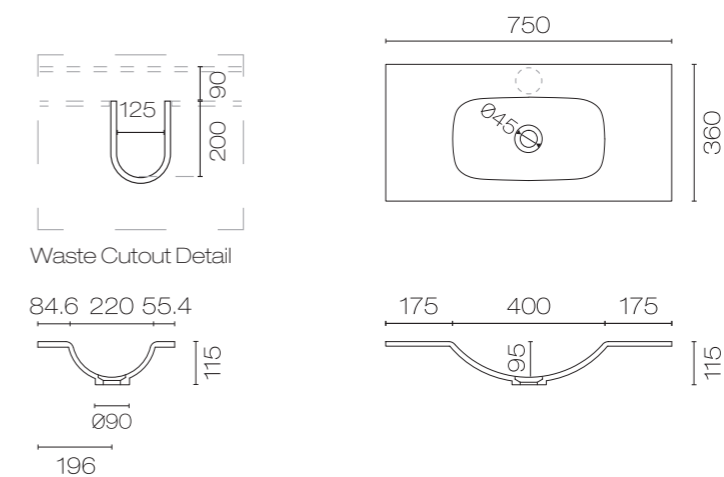


Lavage Uno Slim 750 2 Drawer Vanity
LAV75WSL • 750W x 360D x 515H

750mm (2 Drawer)



750mm Top View



Installers Note



Lavage Slim basins are supplied with no taphole however taphole can be drilled onsite with drill bit supplied.