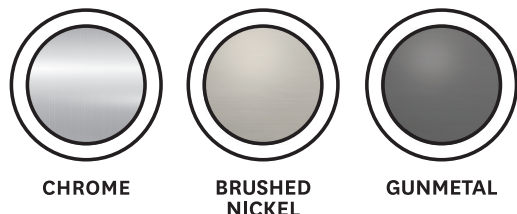


# METHVEN

## MAKU



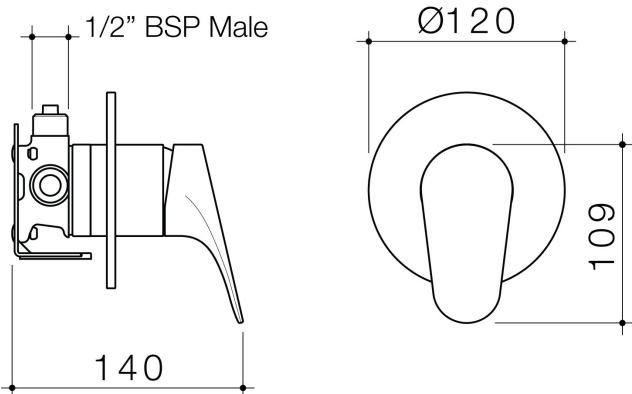
### MAKU MK2 SHOWER MIXER WITH FASTFLOW 2



CHROME

BRUSHED NICKEL

GUNMETAL



**CONSTRUCTION:** Low-lead brass body  
**CARTRIDGE:** Cermaic with Fastflow II technology  
**CLASSIFICATION:** Suitable for all pressure systems above 17kPa  
**INLET CONNECTIONS:** 1/2" BSP Male  
**OUTLET CONNECTIONS:** 1/2" BSP Male  
**WORKING PRESSURES:** Unequal Hot min 17 kpa. Unequal Cold min 300kpa  
**DIMENSIONS FOR FITTING:** 80mm diameter hole for mixer waterproofing cup  
**OPTIMUM PRESSURE:** 35 - 500kpa  
**OPERATING TEMPERATURE:** 5 °C -70 °C

- Universal in-wall body with Methven Fastflow II technology
- Engineered from lead free brass
- Interchangeable trim kits allow colour or finish to be changed post installation
- 120mm diameter metal faceplate with positive seal between faceplate and the body
- Precise temperature transition from cold to hot minimises the risk of scalding

MAAPS2CPF	Chrome
MAAPS2BNF	Brushed Nickel
MAAPS2GMF	Gunmetal

**THE METHVEN GUARANTEE.** For total peace of mind, all domestic tapware products include a 20 Year Parts and Labour Guarantee. For commercial installations, a 5 Year Guarantee on Parts and Labour applies. For full terms and conditions, visit [www.methven.com](http://www.methven.com).