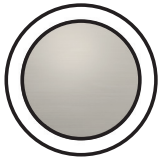


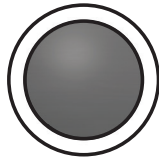
MAKU MK2 WALL SHOWER



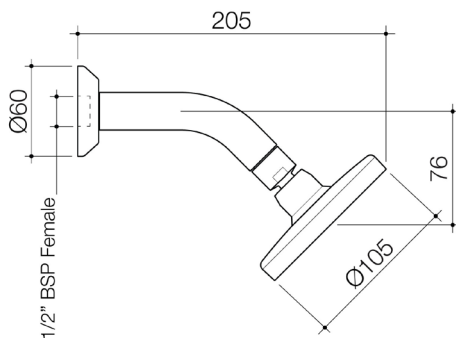
CHROME



BRUSHED
NICKEL



GUNMETAL



CONSTRUCTION: Chrome plated

CLASSIFICATION: Suitable for all pressure systems above 35kPa

INLET CONNECTIONS: 1/2" BSP Female

WORKING PRESSURES: 35 - 500 kPa

DIMENSIONS FOR FITTING: 22mm diameter hole

OPTIMUM PRESSURE: 35 - 500 kPa

OPERATING TEMPERATURE: 5 °C - 70 °C

WATER FLOW RATE: 9.0 L/min

- Low maintenance Satinjet single function shower
- Wide spray coverage
- 3 star WELS rated on mains pressure (≤ 9.0 L/min)
- 3 star WELS rated on low pressure (≤ 9.0 L/min)

MACACP₃

Chrome

MACABN₃

Brushed Nickel

MACAGM₃

Gunmetal