

# METHVEN

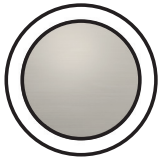
## MAKU



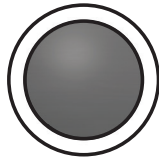
### MAKU MK2 SHOWER SYSTEM



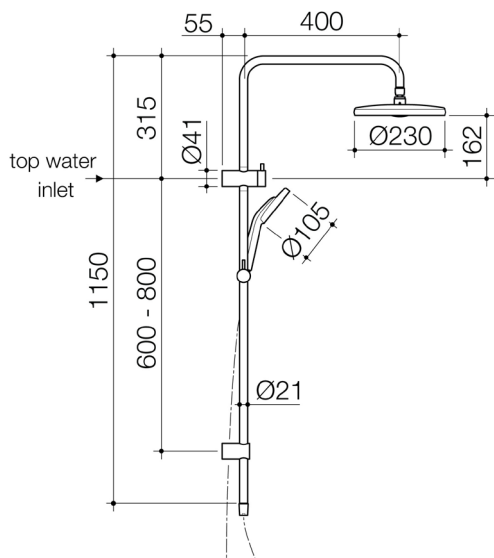
CHROME



BRUSHED  
NICKEL



GUNMETAL



**CONSTRUCTION:** Brass rail

**CLASSIFICATION:** Suitable for mains pressure only

**INLET CONNECTIONS:** 1/2" BSP Female

**WORKING PRESSURES:** 150 - 500kpa

**DIMENSIONS FOR FITTING:** 600-800mm pitch

**OPTIMUM PRESSURE:** 150 - 500kpa

**OPERATING TEMPERATURE:** 5 °C - 70 °C

**WATER FLOW RATE:** 9.0 L/min Handset. 9.0 L/min Overhead

- Features the revolutionary Satinjet® spray design. Twin jets of water collide into thousands of tiny droplets to deliver voluminous shower coverage
- Luxurious overhead shower for a rain-like experience
- Modernised full colour shower, the next generation of Maku's distinctive design in chrome or PVD finish for striking look & durability
- Rail with diverter
- Top water inlet
- Smooth, silverflex shower hose for durability and easy cleaning
- WELS 3 Star, ≤9.0L/min

MASSCP33

Chrome

MASSBN33

Brushed Nickel

MASSGM33

Gunmetal

**THE METHVEN GUARANTEE.** For total peace of mind, all domestic tapware products include a 20 Year Parts and Labour Guarantee. For commercial installations, a 5 Year Guarantee on Parts and Labour applies. For full terms and conditions, visit [www.methven.com](http://www.methven.com).