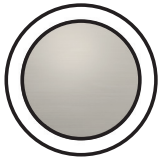


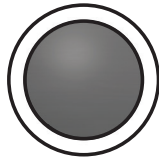
MAKU MK2 SHOWER SYSTEM



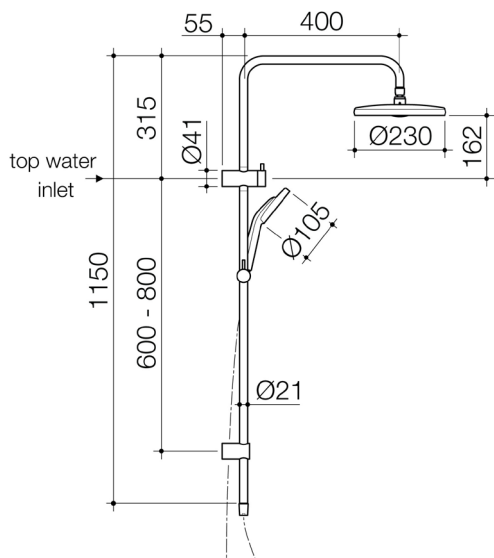
CHROME



BRUSHED
NICKEL



GUNMETAL



CONSTRUCTION: Brass rail

CLASSIFICATION: Suitable for mains pressure only

INLET CONNECTIONS: 1/2" BSP Female

WORKING PRESSURES: 150 - 500kpa

DIMENSIONS FOR FITTING: 600-800mm pitch

OPTIMUM PRESSURE: 150 - 500kpa

OPERATING TEMPERATURE: 5 °C - 70 °C

WATER FLOW RATE: 9.0 L/min Handset, 9.0 L/min Overhead

- Features the revolutionary Satinjet® spray design. Twin jets of water collide into thousands of tiny droplets to deliver voluminous shower coverage
- Luxurious overhead shower for a rain-like experience
- Modernised full colour shower, the next generation of Maku's distinctive design in chrome or PVD finish for striking look & durability
- Rail with diverter
- Top water inlet
- Smooth, silverflex shower hose for durability and easy cleaning
- WELS 3 Star, ≤9.0L/min

MASSCP33

Chrome

MASSBN33

Brushed Nickel

MASSGM33

Gunmetal