

METHVEN

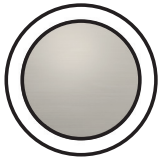
MAKU



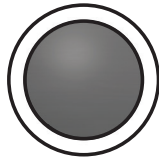
MAKU MK2 WALL BASIN/BATH MIXER



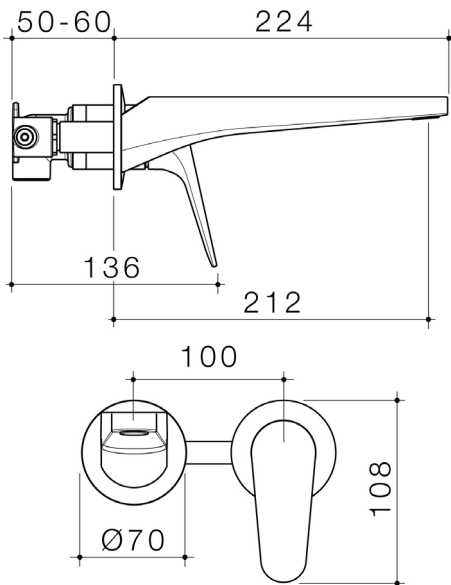
CHROME



BRUSHED
NICKEL



GUNMETAL



CONSTRUCTION: Low-lead brass body
CARTRIDGE: 35mm Ceramic
CLASSIFICATION: Suitable for mains pressure only
INLET CONNECTIONS: 1/2" BSP Female
WORKING PRESSURES: 150 - 1000kPa
DIMENSIONS FOR FITTING: 22mm diameter hole for spout & 50mm diameter hole for mixer
OPTIMUM PRESSURE: 150 - 500kPa
OPERATING TEMPERATURE: 5 °C - 70 °C
WATER FLOW RATE: 4.5 L/min for basin mixer. Unrestricted flow for bath mixer

- Universal In-wall body engineered from lead free brass
- Interchangeable trim kits allow colour or finish to be changed post installation
- 70mm diameter metal faceplate with positive seal between faceplate and the body
- Concealed aerator with adjustable stream direction
- Spout centre projection 210mm
- Quickfit adaptor for hassle free installation of spout
- 6 star WELS rated on mains pressure (≤ 4.5 l/m) for basin mixer
- Unrestricted flow for bath mixer

MAWBCP6F

Chrome

MAWBBN6F

Brushed Nickel

MAWBG6F

Gunmetal

THE METHVEN GUARANTEE. For total peace of mind, all domestic tapware products include a 20 Year Parts and Labour Guarantee. For commercial installations, a 5 Year Guarantee on Parts and Labour applies. For full terms and conditions, visit www.methven.com.