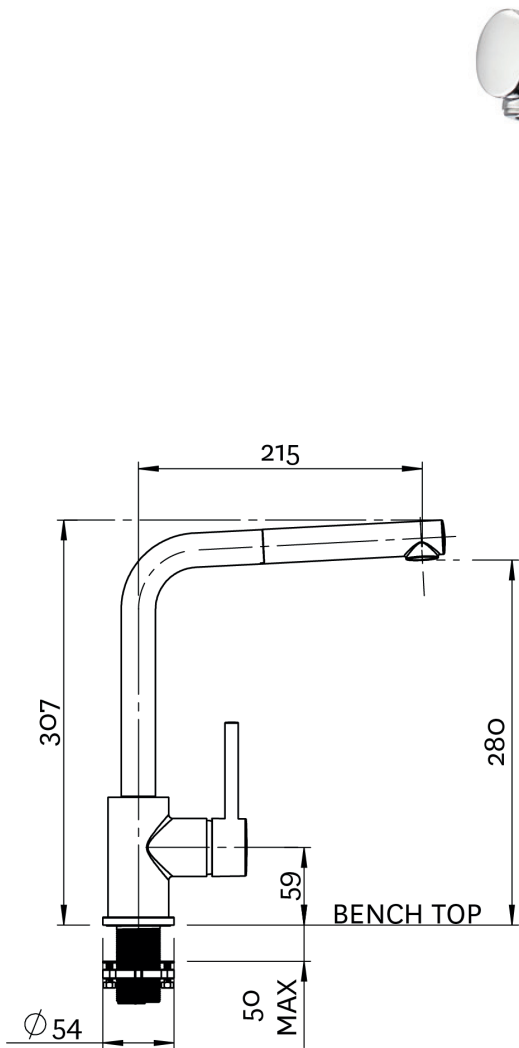


## MINIMALIST METRO PULL OUT SINK MIXER



**CONSTRUCTION:** Brass body

**CARTRIDGE TYPE:** Ceramic

**CLASSIFICATION:** Suitable for mains pressure only

**INLET CONNECTIONS:** 1/2" BSP Female

**WORKING PRESSURE:** 150 – 500 kpa

**DIMENSIONS FOR FITTING:** 35-45mm diameter hole

**OPERATING TEMPERATURE:** 5 °C - 80 °C

**WATER FLOW RATE:** 4 star WELS, 7L/m

- Dezincification Resistant (DR) brass bodies last longer and help maintain water quality
- Fitted with ceramic discs instead of conventional washers
- Swivel spouts give you 360° control of your water flow
- An extendable hose for spray flexibility
- Solid installation secures the tap more stably to the bench top
- Suitable for mains pressure only
- Max bench thickness 50mm

MMKMPOCP4F

Chrome