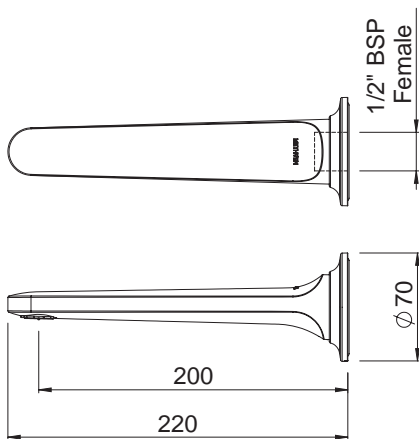


AIO BATH SPOUT



CONSTRUCTION: Eco Brass

CLASSIFICATION: Suitable for **all pressure** systems

INLET CONNECTIONS: 1/2" BSP Female

OUTLET CONNECTION: N/A

WORKING PRESSURE: 35-1000kPa

OPERATING TEMPERATURE: 5 °C - 80 °C

- Quick-fit connector
- Lead free brass to protect water quality
- 200 mm spout for wide range of bath specifications