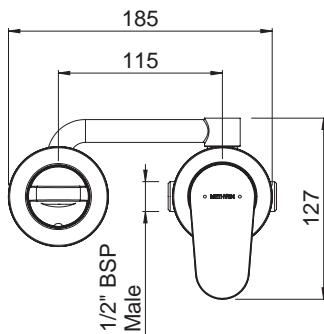
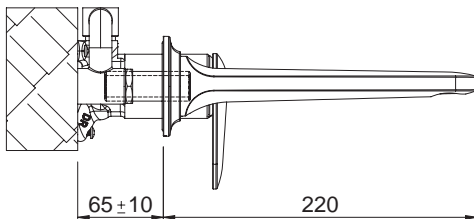


AIO BATH SPOUT



CONSTRUCTION: Eco Brass

CARTRIDGE TYPE: Ceramic

CLASSIFICATION: Suitable for mains pressure only

INLET CONNECTIONS: 1/2" BSP Female

OUTLET CONNECTION: 1/2" BSP Male

WORKING PRESSURE: 150-1000kPa

OPERATING TEMPERATURE: 5 °C - 80 °C

WATER FLOW: 7.0 l/m

- Quick-fit connector
- Lead free brass to protect water quality
- 200 mm spout for wide range of bath specifications
- Ceramic cartridge
- 20mm installation tolerance
- 4 stars WELS rated on mains pressure (7.0 l/pm)