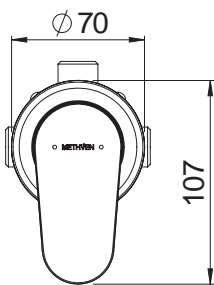
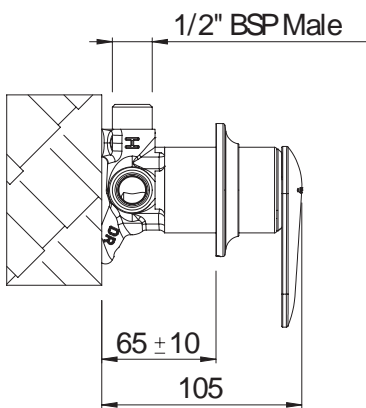


AIO SHOWER MIXER



CONSTRUCTION: Eco Brass

CARTRIDGE TYPE: Ceramic

CLASSIFICATION: Suitable for mains pressure only

INLET CONNECTIONS: 1/2" BSP

OUTLET CONNECTIONS: 1/2" BSP

WORKING PRESSURE: 150-1000kPa

OPERATING TEMPERATURE: 5 °C - 80 °C

- Ceramic cartridge
- Metal faceplate
- 20mm installation tolerance
- Lead free brass to protect water quality