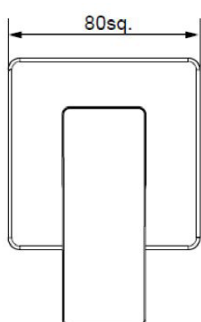
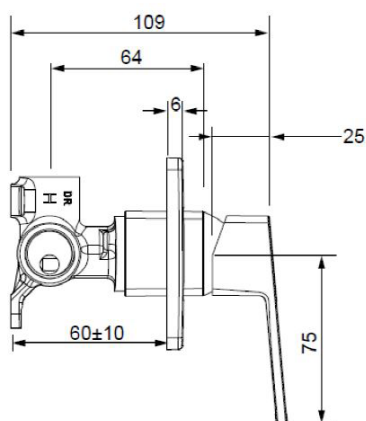


BLAZE SHOWER MIXER



CONSTRUCTION: Brass body

CARTRIDGE TYPE: 25 mm ceramic

SUPPLY: Suitable for **mains pressure only**

INLET CONNECTIONS: 1/2" BSP Female

WORKING PRESSURE: 150 - 1000kPa

DIMENSIONS FOR FITTING: 70 mm diameter hole

OPERATING TEMPERATURE: 5 °C - 80 °C

- Easy to grip handle
- Solid brass construction for longevity
- Fixed metal dome covers to reduce missing parts
- 3 brass mounting feet on mixer body
- Tiling template included with mixer body

BLHPSCP

Chrome

BLHPSBK

Matte Black