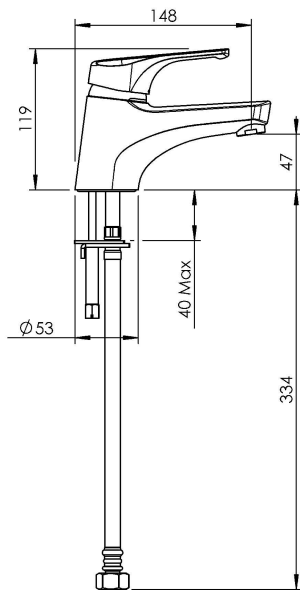


FUTURA FT BASIN MIXER



CONSTRUCTION: Brass

CARTRIDGE TYPE: Ceramic (SP033550)

CLASSIFICATION: Suitable for **all pressure** systems

INLET CONNECTIONS: 1/2" BSP Female (male nipples provided)

WORKING PRESSURE: 35 - 500kPa

DIMENSIONS FOR FITTING: 35mm diameter hole required

OPERATING TEMPERATURE: 5 °C - 80 °C

WATER FLOW RATE: 8.0 l/m (mains pressure) - 8.5 l/m (low pressure)

- Supplied with aerator and flow director for spout outlet
- Twin stud mounting
- Stainless steel flexible hoses for ease of installation
- Removable 12.0 l/pm flow restrictor on cold outlet for unequal pressure
- O-ring seal on base
- 3 star WELS rated on mains pressure (8.0 l/pm)
- 3 star WELS rated on low pressure (8.5 l/pm)
- NEW handle design

FT2050CP2

Chrome