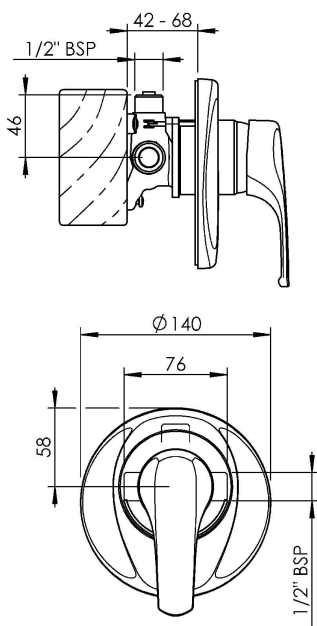


Hyperflow™ FUTURA SHOWER MIXER

Using the combination of a unique cartridge and unique port openings, Hyperflow™ maximises the flow of water on an equal low pressure system. This creates excellent performance on equal low pressure for shower mixers and bath fillers.



CONSTRUCTION: Brass body

CARTRIDGE TYPE: 47 mm ceramic cartridge with Hyperflow™ technology

CLASSIFICATION: Suitable for **equal low** systems

INLET CONNECTIONS: 1/2" BSP Male

WORKING PRESSURE: 35 - 500kPa

DIMENSIONS FOR FITTING: see installation guide

OPERATING TEMPERATURE: 5 °C - 80 °C

- Big ports, big cartridge - 10mm inlet/15mm outlet
- Increased flow rate of 20% at 40°C on 20 kPa
- Equal Low applications for shower mixer and bath filler
- Large 140mm diameter metal faceplate
- Concealed screws to positively fasten faceplate
- Positive seal between the faceplate and the body
- Clear but discreet hot and cold indication
- NEW handle design

FTHFSCP2

Chrome