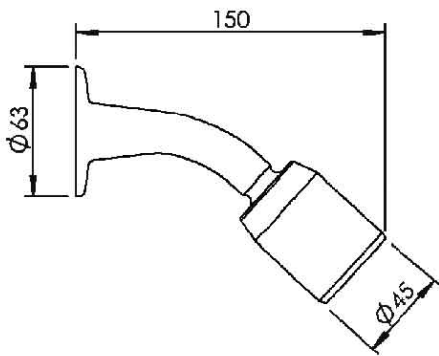


FUTURA FU SHOWER ROSE



CONSTRUCTION: Brass arm

CLASSIFICATION: Suitable for all pressure systems

INLET CONNECTIONS: 1/2" BSP Female

WORKING PRESSURE: 35 - 500kPa

OPERATING TEMPERATURE: 5 °C - 70 °C

WATERFLOW RATE: 14.0 l/pm

- Low maintenance single function shower
- Shower head easily dismantled for cleaning
- Angle of adjustment $\pm 22.5^\circ$ C
- Acetal anti-friction plate provides smooth swivel action
- Zero star WELS rated on mains pressure
- 1 star WELS rated on low pressure (14.0 l/pm)

FU115CP

Chrome