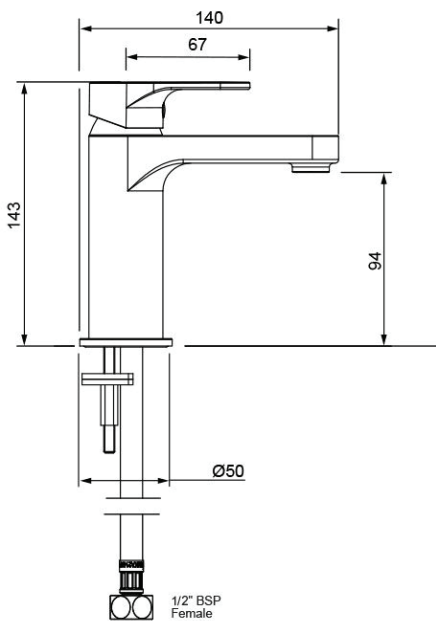


## GLIDE BASIN MIXER



**CONSTRUCTION:** Brass body

**CARTRIDGE TYPE:** 25 mm ceramic

**SUPPLY:** Suitable for **mains pressure** only

**INLET CONNECTIONS:** 1/2" BSP Female

**WORKING PRESSURE:** 150 - 1000kPa

**DIMENSIONS FOR FITTING:** 35 - 38 mm diameter hole

**OPERATING TEMPERATURE:** 5 °C - 80 °C

- Solid brass construction for longevity
- Twin stud mounting for secure basin installation
- Stainless steel flexible inlet hoses
- Fixed cast spout fitted with aerator
- 5 star WELS rating on 5l/m

GLBCP

Chrome

GLBBK

Matte Black