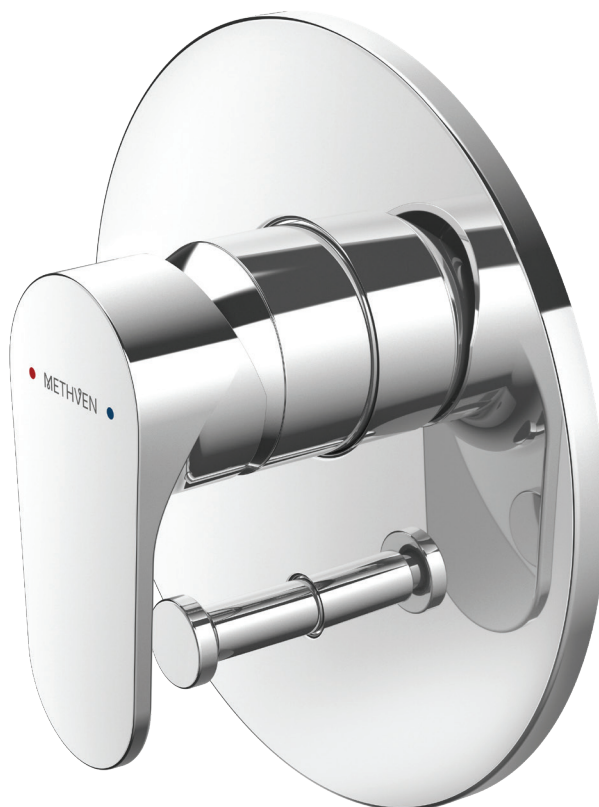
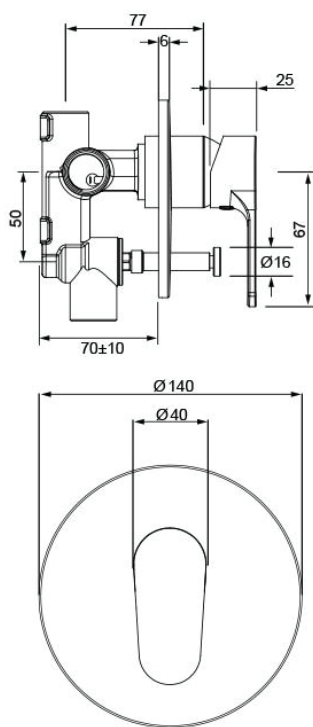


GLIDE SHOWER MIXER WITH DIVERTER



CARTRIDGE TYPE: 25 mm ceramic

SUPPLY: Suitable for mains pressure only

INLET CONNECTIONS: 1/2" BSP

OUTLET CONNECTIONS: 1/2" BSP

WORKING PRESSURE: 150 - 1000kPa

DIMENSIONS FOR FITTING: 70 mm diameter wall cavity

OPERATING TEMPERATURE: 5 °C - 80 °C

- Includes a pull-out diverter
- 3 brass mounting feet on mixer body
- Solid, easy to grip handle
- Tiling template included

GLHPSDCP

Chrome

03-9807MBK

Matte Black