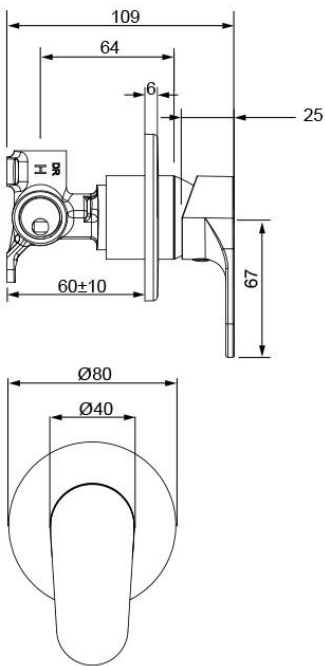


GLIDE SHOWER MIXER



CARTRIDGE TYPE: 25 mm ceramic

SUPPLY: Suitable for mains pressure only

INLET CONNECTIONS: 1/2" BSP

OUTLET CONNECTIONS: 1/2" BSP

WORKING PRESSURE: 150 - 1000kPa

DIMENSIONS FOR FITTING: 70 mm diameter wall cavity

OPERATING TEMPERATURE: 5 °C - 80 °C

- 3 brass mounting feet on mixer body
- Solid, easy to grip handle
- Tiling template included

GLHPSCP

Chrome

GLHPSBK

Matte Black