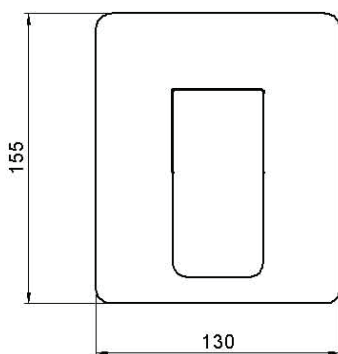
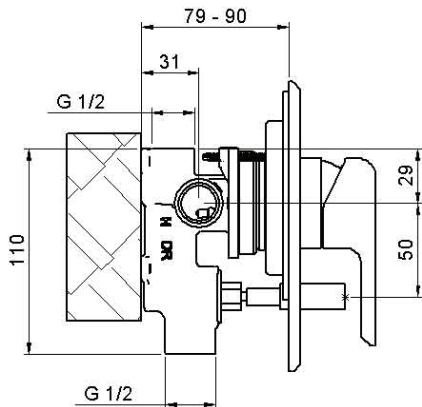


## KIRI SHOWER MIXER



**CARTRIDGE:** Ceramic

**CLASSIFICATION:** Suitable for mains pressures only

**INLET CONNECTIONS:** 1/2" BSP Male

**WORKING PRESSURE:** 150 - 500kPa

**DIMENSIONS FOR FITTING:** 102mm diameter hole

**OPERATING TEMPERATURE:** 5 °C - 80 °C

- Metal faceplate
- Ceramic cartridge
- Plunger diverter located under handle for clean design lines

KISHDCP

Chrome